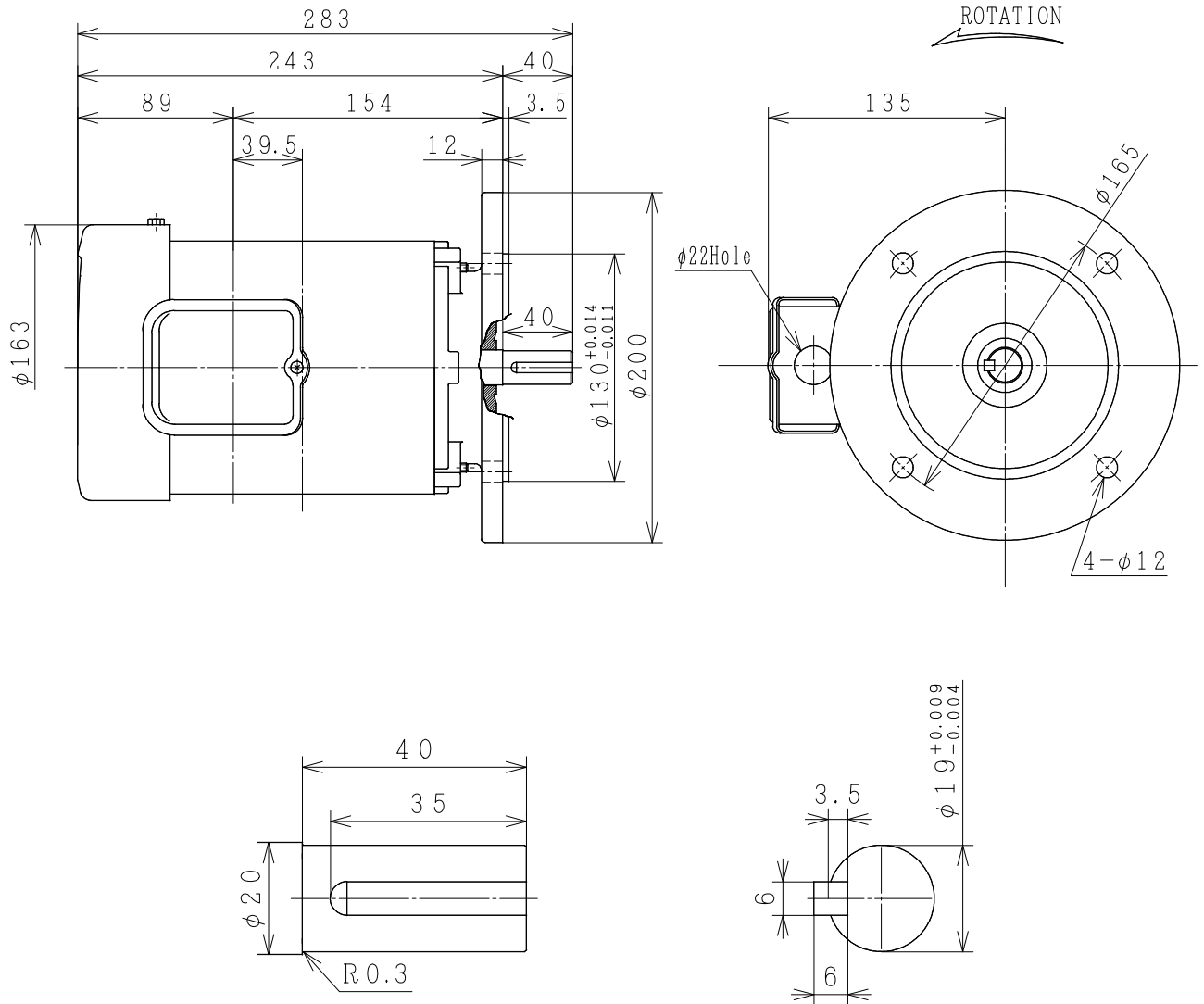


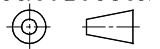
THREE-PHASE INDUCTION MOTOR

OUTPUT	TYPE	FORM	RATING	VOLTAGE (V)	FREQ. (Hz)	SYNC. SPEED (min^{-1})	POLES	INS. CLASS	MASS (kg)
1HP	VTFO	K	S1	220/380	50	3000	2	B	15.5
1HP	VTFO	K	S1	220/380	50	1500	4	B	14.4
1/2HP	VTFO	K	S1	220/380	50	1000	6	B	17.5



PROTECTION: IP44

PROJECTION



CUSTOMER			QTY.	ORDER No.	WORK No.	REV.	
DWN.	P. Tianchai	21-06-12	<div style="display: flex; align-items: center; justify-content: center;"> <div style="font-size: 48px; margin-right: 10px;">}</div> <div style="font-size: 24px; font-weight: bold; margin-right: 10px;">DIMENSIONS</div> <div style="text-align: center;"> <small>Hitachi Industrial Technology (Thailand), Ltd.</small> </div> <div style="font-size: 24px; font-weight: bold; margin-left: 10px;">4HTD02344</div> </div>			SH.	
CHKD.	W. THAWAT					HITT WORKS DWG. No.	
APPD.	T. Shimozono						
FRAME SIZE : VTFOB-FF165 (80M)							