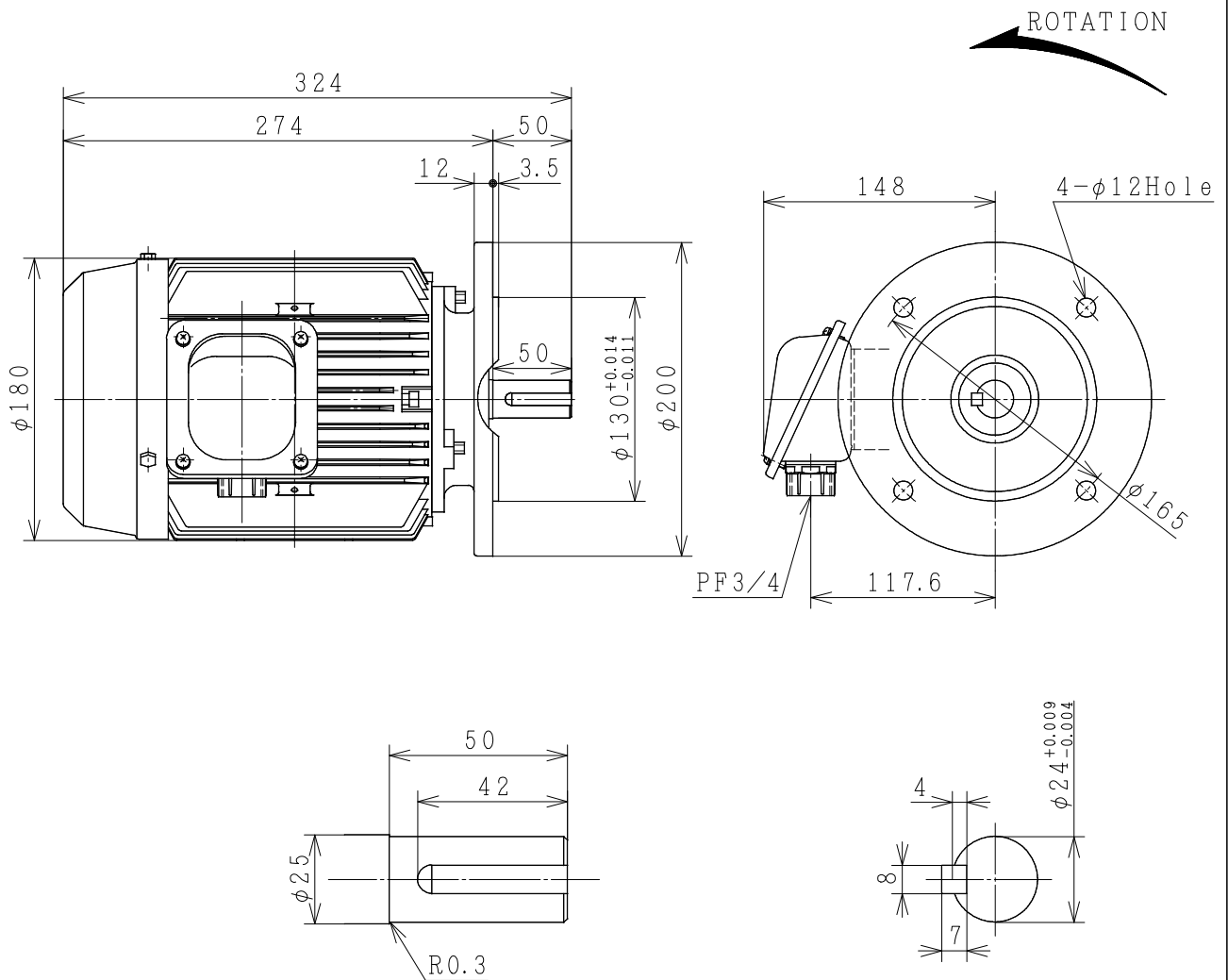


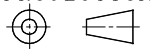
# THREE-PHASE INDUCTION MOTOR

OUTPUT	TYPE	FORM	RATING	VOLTAGE (V)	FREQ. (Hz)	SYNC. SPEED (min <sup>-1</sup> )	POLES	INS. CLASS	MASS (kg)
2HP	VTFO	K	S1	220/380	50	3000	2	F	17
3HP	VTFO	K	S1	220/380	50	3000	2	F	18
2HP	VTFO	K	S1	220/380	50	1500	4	F	18
1HP	VTFO	K	S1	220/380	50	1000	6	F	17



PROTECTION: IP55

PROJECTION



CUSTOMER			QTY.	ORDER No.	WORK No.	REV.
DWN.	S. Sakda	21-Jun-2015	<div style="display: flex; justify-content: space-around; align-items: center;"> <div style="font-size: 2em; font-weight: bold;">DIMENSIONS</div> <div style="text-align: center;"> <b>HITACHI</b>  <small>Hitachi Industrial Technology (Thailand), Ltd.</small> </div> </div>			SH.
CHKD.	W. Thawat	}				HITT WORKS DWG. No.
APPD.	T. Shimozone					4HTD02381
FRAME SIZE VTFOD-FF165 (90L)						