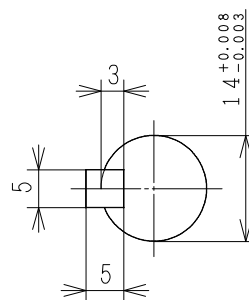
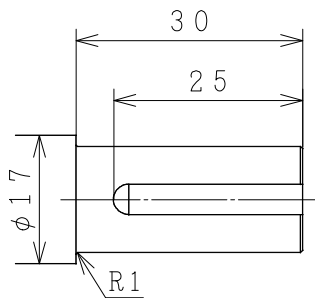
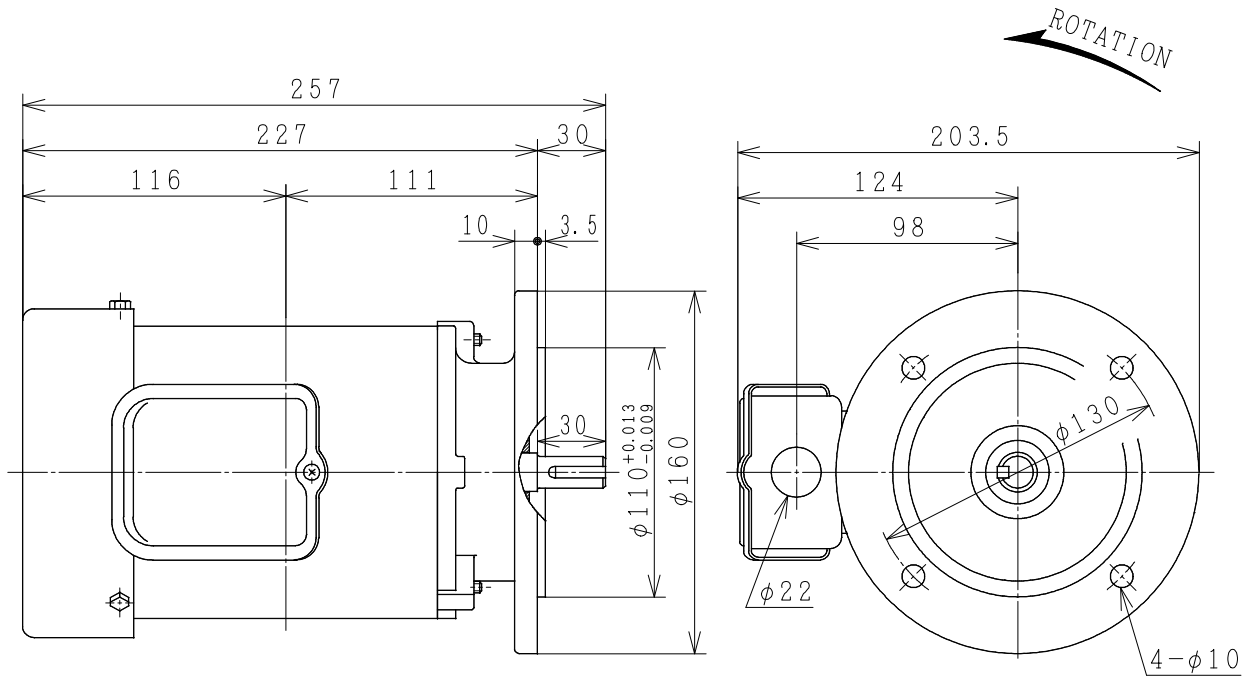
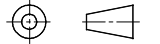


# THREE-PHASE INDUCTION MOTOR

OUTPUT	TYPE	FORM	RATING	VOLTAGE (V)	FREQ. (Hz)	SYNC. SPEED ( $\text{min}^{-1}$ )	POLES	INS. CLASS	MASS (kg)
1/2HP	VTFO	K	S1	220/380	50	3000	2	B	10.5
1/2HP	VTFO	K	S1	220/380	50	1500	4	B	9.0



PROJECTION



CUSTOMER			QTY.	ORDER No.	WORK No.	REV.	
DWN.	C. ANAN	03-06-13	<div style="display: flex; justify-content: space-around; align-items: center;"> <div style="font-size: 2em; font-weight: bold;">DIMENSIONS</div> <div style="text-align: center;"> <b>HITACHI</b>  <small>Hitachi Industrial Technology (Thailand), Ltd.</small> </div> <div style="font-size: 1.5em; font-weight: bold;">4HTD02582</div> </div>			HITT WORKS DWG. No.	SH.
CHKD.	W. THAWAT	§					
APPD.	M. KAMIZONO						

FRAME SIZE VTFOB-FF130 (71M)