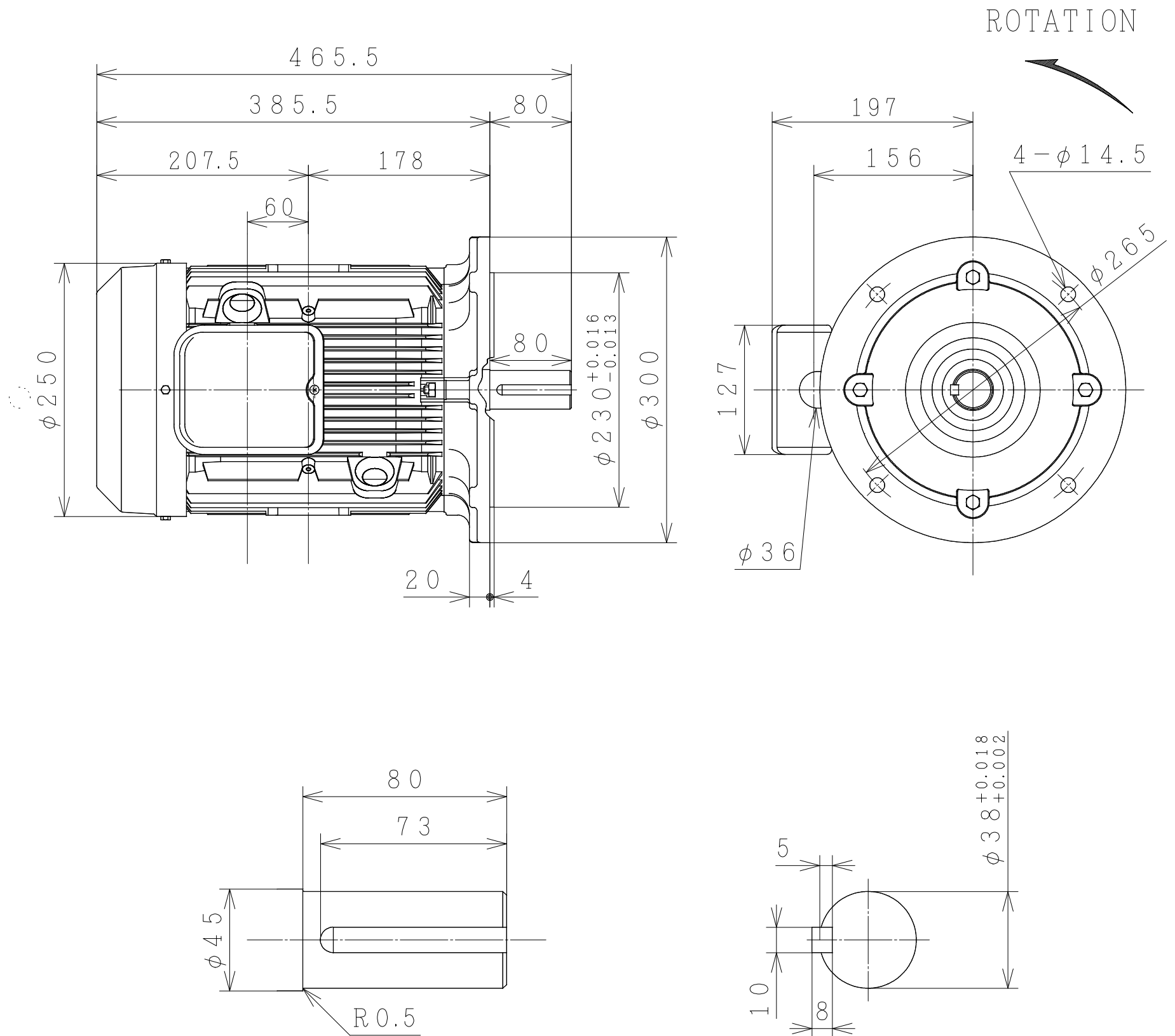
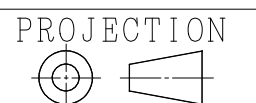


THREE-PHASE INDUCTION MOTOR

OUTPUT	TYPE	FORM	RATING	VOLTAGE (V)	FREQ. (Hz)	SYNC. SPEED (min ⁻¹)	POLES	INS. CLASS	MASS (kg)
10HP	VTFO	K	S1	220/380V	50	1500	4	B	52
7.5HP	VTFO	K	S1	220/380V	50	1000	6	B	57



PROTECTION: IP44



CUSTOMER			QTY.	ORDER NO.	WORK NO.	REV.
DWN	N. WICHARN	03-May-2014				SH.
CHKD	W. THAWAT	S	DIMENSIONS		HITACHI Hitachi Industrial Technology (Thailand), Ltd.	
APPD	T. SHIMOZONO		4HTD02866			
FRAME SIZE		VTFOF-FF265 (132M)				