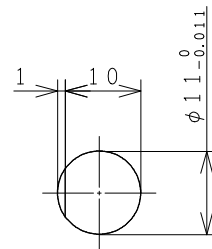
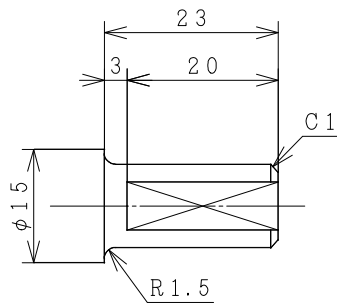
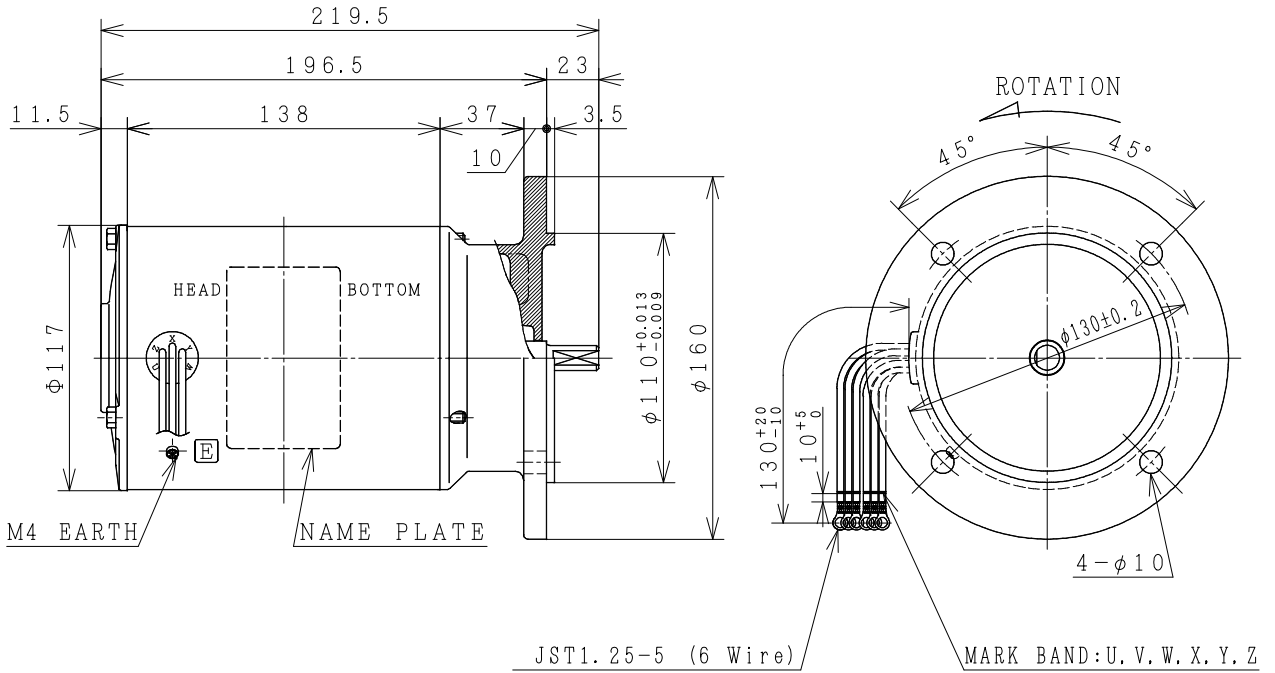
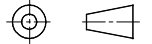


THREE-PHASE INDUCTION MOTOR

OUTPUT	TYPE	FORM	RATING	VOLTAGE (V)	FREQ. (Hz)	SYNC. SPEED (min ⁻¹)	POLES	INS. CLASS	MASS (kg)
1/7HP	VTO	K	S1	220/380	50	1500	4	B	6.9
1/4HP	VTO	K	S1	220/380	50	1500	4	B	6.9



PROJECTION



CUSTOMER			QTY.	ORDER No.	WORK No.	REV.
DWN.	C. Anan	23-JUN-2014	<div style="display: flex; justify-content: space-around; align-items: center;"> <div style="font-size: 2em; font-weight: bold;">DIMENSIONS</div> <div style="text-align: center;"> HITACHI <small>Hitachi Industrial Technology (Thailand), Ltd.</small> </div> <div style="font-size: 1.5em; font-weight: bold;">4HTD02900</div> </div>			SH.
CHKD.	W. THAWAT	§				HITT WORKS DWG. No.
APPD.	T. SHIMOZONO					
FRAME SIZE VTOB-FF130 (63M)						