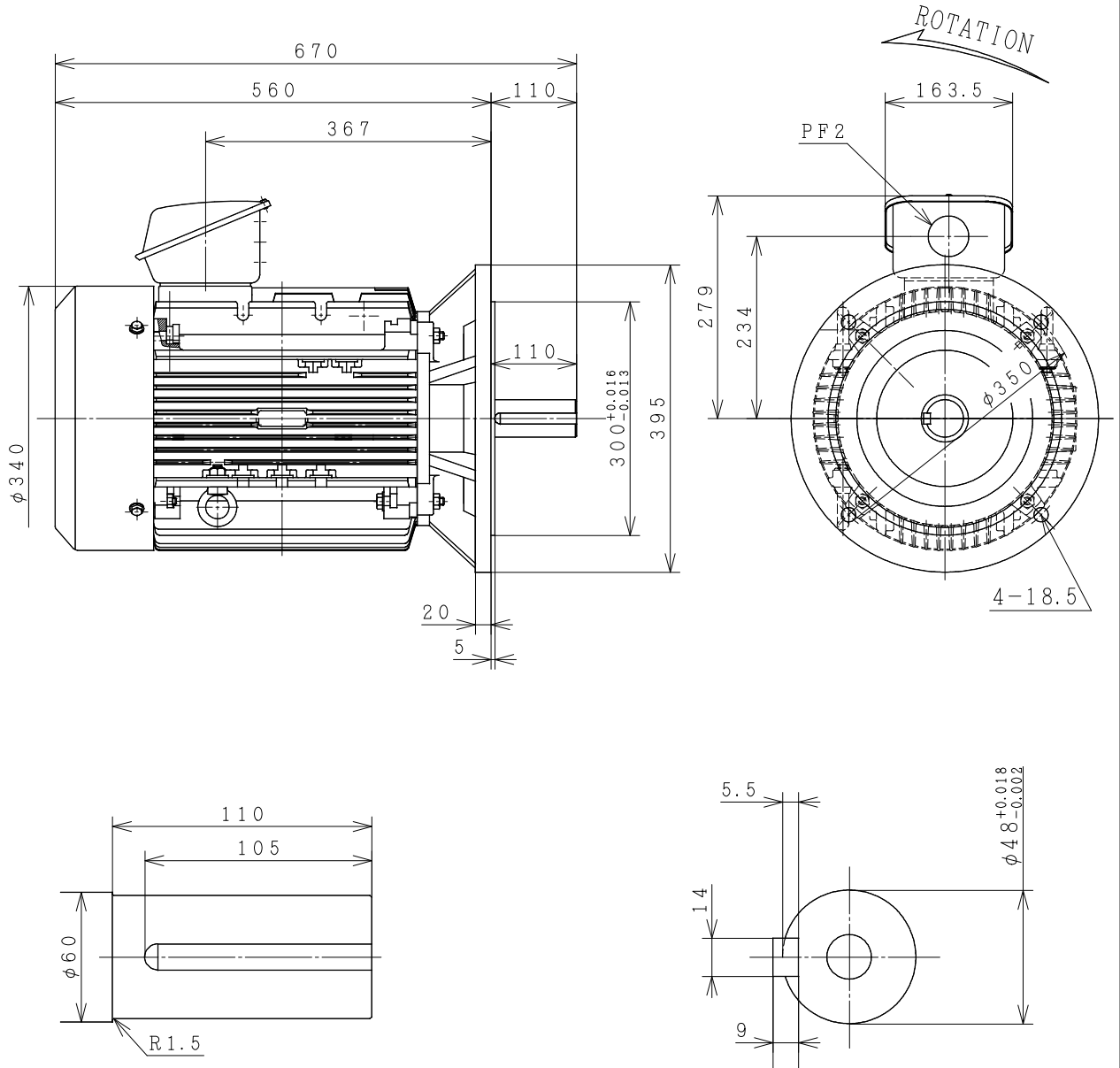


# THREE-PHASE INDUCTION MOTOR

OUTPUT	TYPE	FORM	RATING	VOLTAGE (V)	FREQ. (Hz)	SYNC. SPEED $\text{min}^{-1}$	POLES	INS. CLASS	WEIGHT
30HP	VTFO	KK	S1	380/415	50	3000	2	B	134
25HP	VTFO	KK	S1	380/415	50	1500	4	B	136
30HP	VTFO	KK	S1	380/415	50	1500	4	B	139
20HP	VTFO	KK	S1	380/415	50	1000	6	B	140



CUSTOMER			QTY.	ORDER NO.	WORK NO.		
DWN.	S. JATUPONG	22-JUN-2015	<div style="display: flex; align-items: center; justify-content: center;"> <span style="font-size: 2em; font-weight: bold;">DIMENSIONS</span> </div>		<div style="display: flex; align-items: center; justify-content: center;"> <span style="font-size: 1.5em; font-weight: bold;">4HTD03111</span> </div>		REV.
CHKD.							
APPD.							
FRAME SIZE VTFOD-FF350 (180M)							