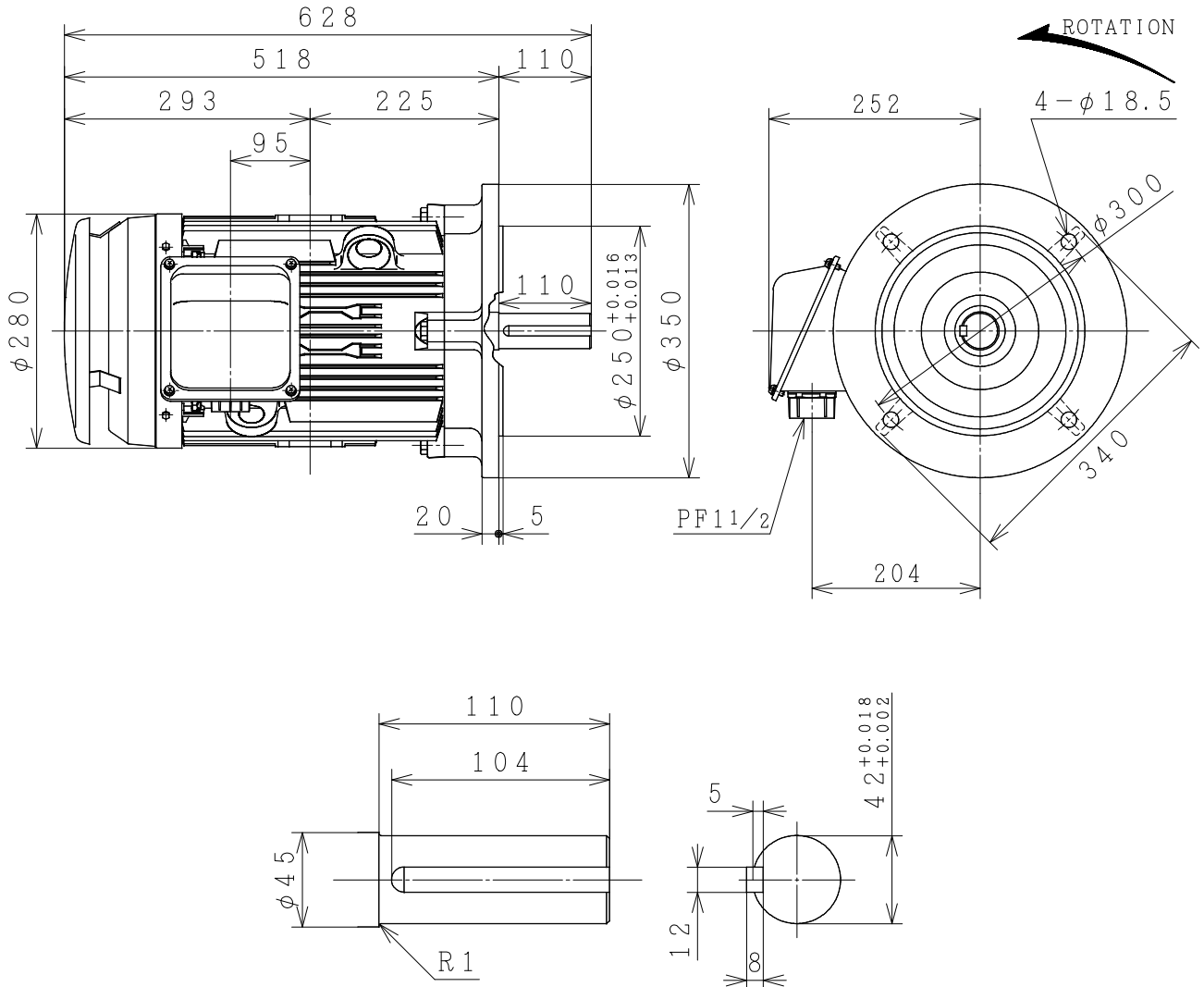


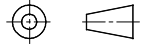
THREE-PHASE INDUCTION MOTOR

OUTPUT	TYPE	FORM	RATING	VOLTAGE (V)	FREQ. (Hz)	SYNC. SPEED (min ⁻¹)	POLES	INS. CLASS	MASS (kg)
15HP	VTFO	KK	S1	380/415	50	3000	2	F	83
20HP	VTFO	KK	S1	380/415	50	3000	2	F	89
15HP	VTFO	KK	S1	380/415	50	1500	4	F	85
10HP	VTFO	KK	S1	380/415	50	1000	6	F	82
25HP	VTFO	KK	S1	380/415	50	3000	2	F	90
20HP	VTFO	KK	S1	380/415	50	1500	4	F	90
15HP	VTFO	KK	S1	380/415	50	1000	6	F	96



PROTECTION: IP55

PROJECTION



CUSTOMER			QTY.	ORDER No.	WORK No.	REV.
DWN. C. ANAN	04-06-15	DIMENSIONS	HITACHI Hitachi Industrial Technology (Thailand), Ltd.		HITT WORKS DWG. No.	SH.
CHKD. W. THAWAT	}				4HTD03116	
APPD. T. SHIMOZONO						
FRAME SIZE			VTFOF (D) - PF300 (160M. L)			