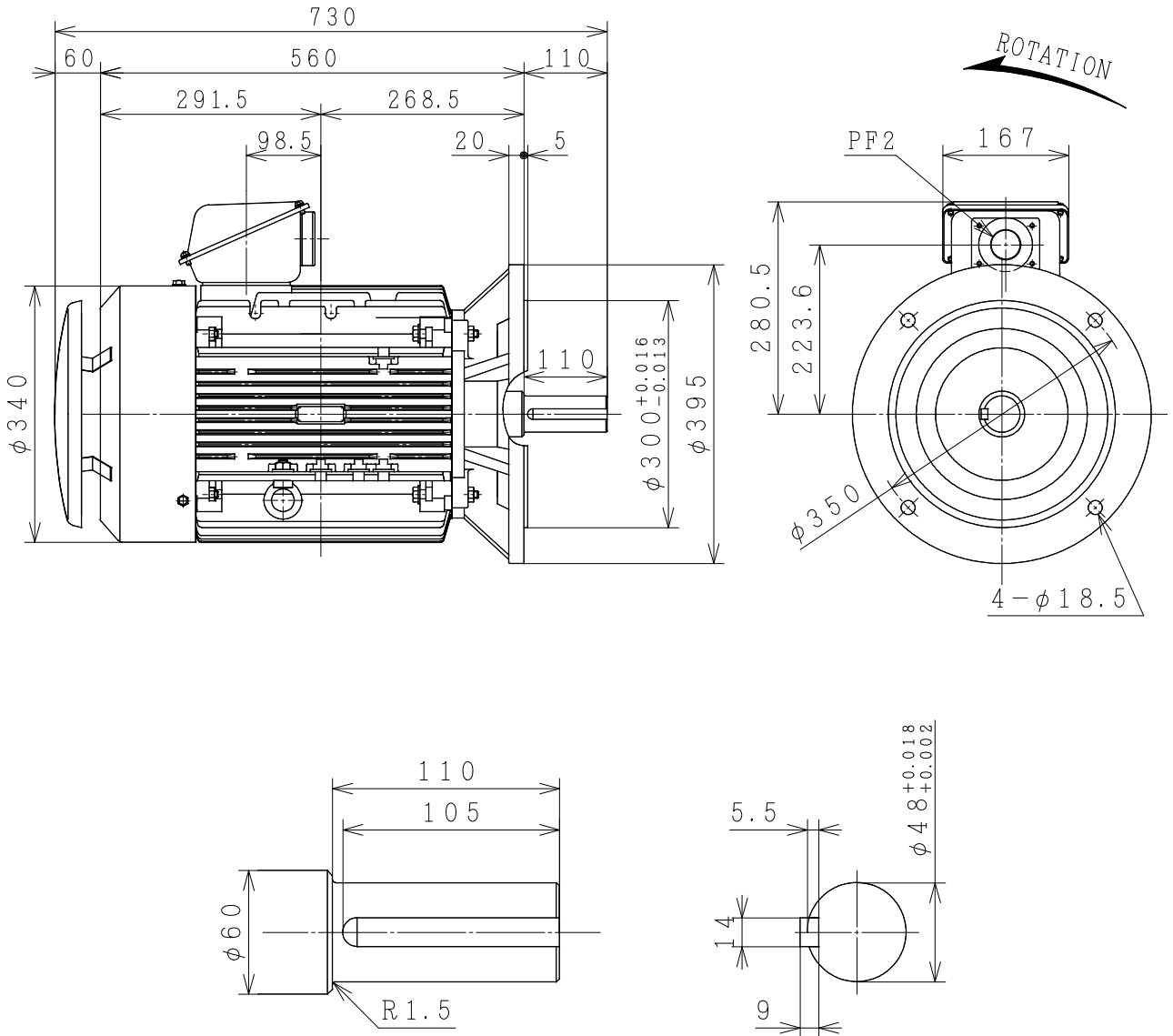


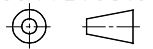
# THREE-PHASE INDUCTION MOTOR

OUTPUT	TYPE	FORM	RATING	VOLTAGE (V)	FREQ. (Hz)	SYNC. SPEED (min <sup>-1</sup> )	POLES	INS. CLASS	MASS (kg)
30HP	VTFO	KK	S1	380/415	50	3000	2	F	135
25HP	VTFO	KK	S1	380/415	50	1500	4	F	138
30HP	VTFO	KK	S1	380/415	50	1500	4	F	140
20HP	VTFO	KK	S1	380/415	50	1000	6	F	142



PROTECTION: IP55

PROJECTION



CUSTOMER			QTY.	ORDER No.	WORK No.	REV.	
DWN.	S. Sakda	30-06-07	<div style="font-size: 2em; font-weight: bold;">DIMENSIONS</div>		HITT WORKS DWG. No.	SH.	
CHKD.	P.Damrongsak	}			HITACHI	4HTD03119	
APPD.	M.KAMIZONO				Hitachi Industrial Technology (Thailand), Ltd.		
FRAME SIZE			VTFOD-FF350 (180M)				