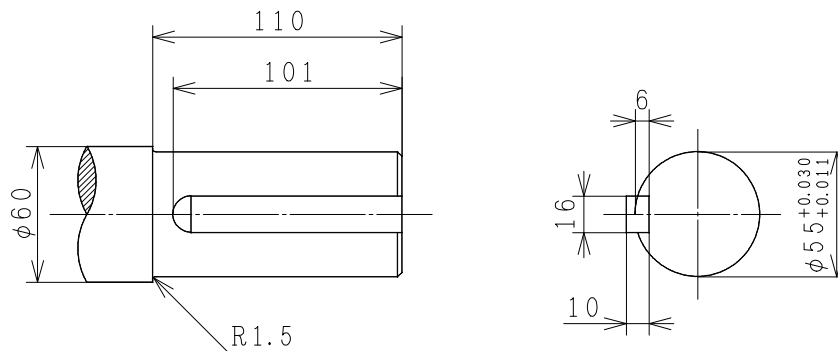
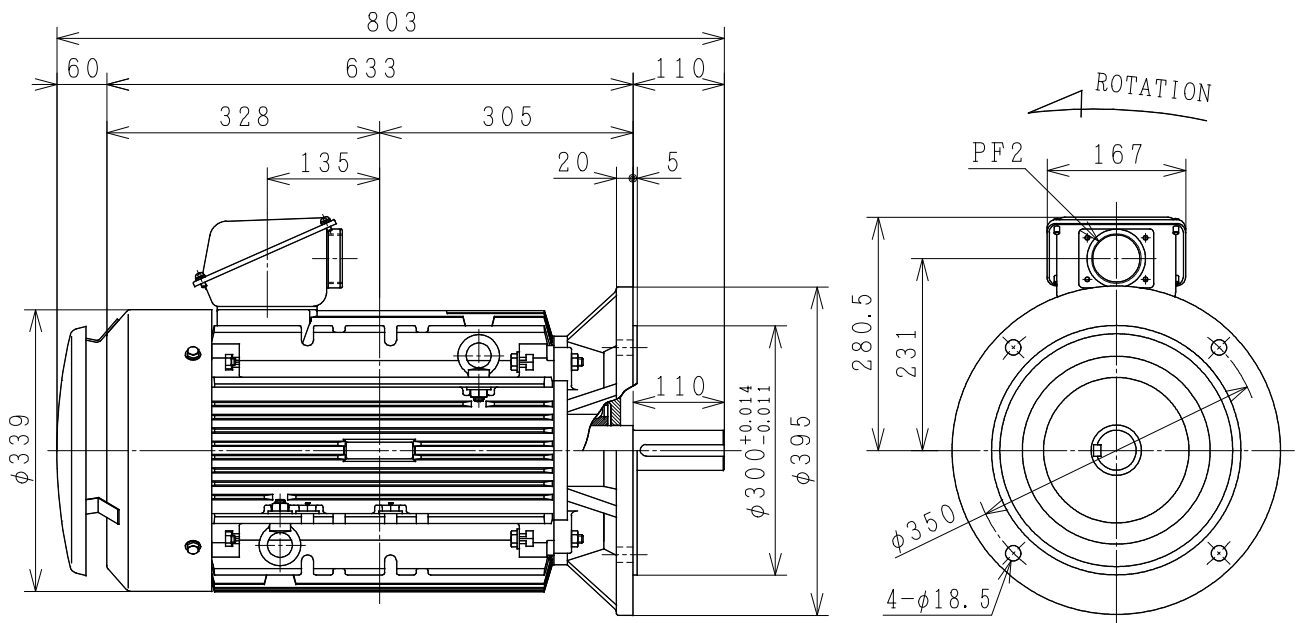


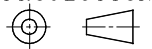
THREE-PHASE INDUCTION MOTOR

OUTPUT	TYPE	FORM	RATING	VOLTAGE (V)	FREQ. (Hz)	SYNC. SPEED (min ⁻¹)	POLES	INS. CLASS	MASS (kg)
40 HP	VTFO	KK	S1	380/415	50	3000	2	F	140
40 HP	VTFO	KK	S1	380/415	50	1500	4	F	165
25 HP	VTFO	KK	S1	380/415	50	1000	6	F	160
30 HP	VTFO	KK	S1	380/415	50	1000	6	F	170



PROTECTION: IP55

PROJECTION



CUSTOMER			QTY.	ORDER No.	WORK No.	REV.
DWN.	D. Theeranan	23-Jun-2015	<div style="display: flex; justify-content: space-around; align-items: center;"> <div style="text-align: center;"> <p style="font-size: 2em; font-weight: bold;">DIMENSIONS</p> <p>FRAME SIZE VTFOD-FF350 (180L)</p> </div> <div style="text-align: center;"> <p style="font-weight: bold; margin: 0;">HITACHI</p> <p style="font-size: 0.8em; margin: 0;">Hitachi Industrial Technology (Thailand), Ltd.</p> </div> <div style="text-align: center;"> <p>HITT WORKS DWG. No.</p> <p style="font-size: 1.5em; font-weight: bold;">4HTD03123</p> </div> </div>			SH.
CHKD.	T. Shimozone	S				
APPD.	T. Shimozone					