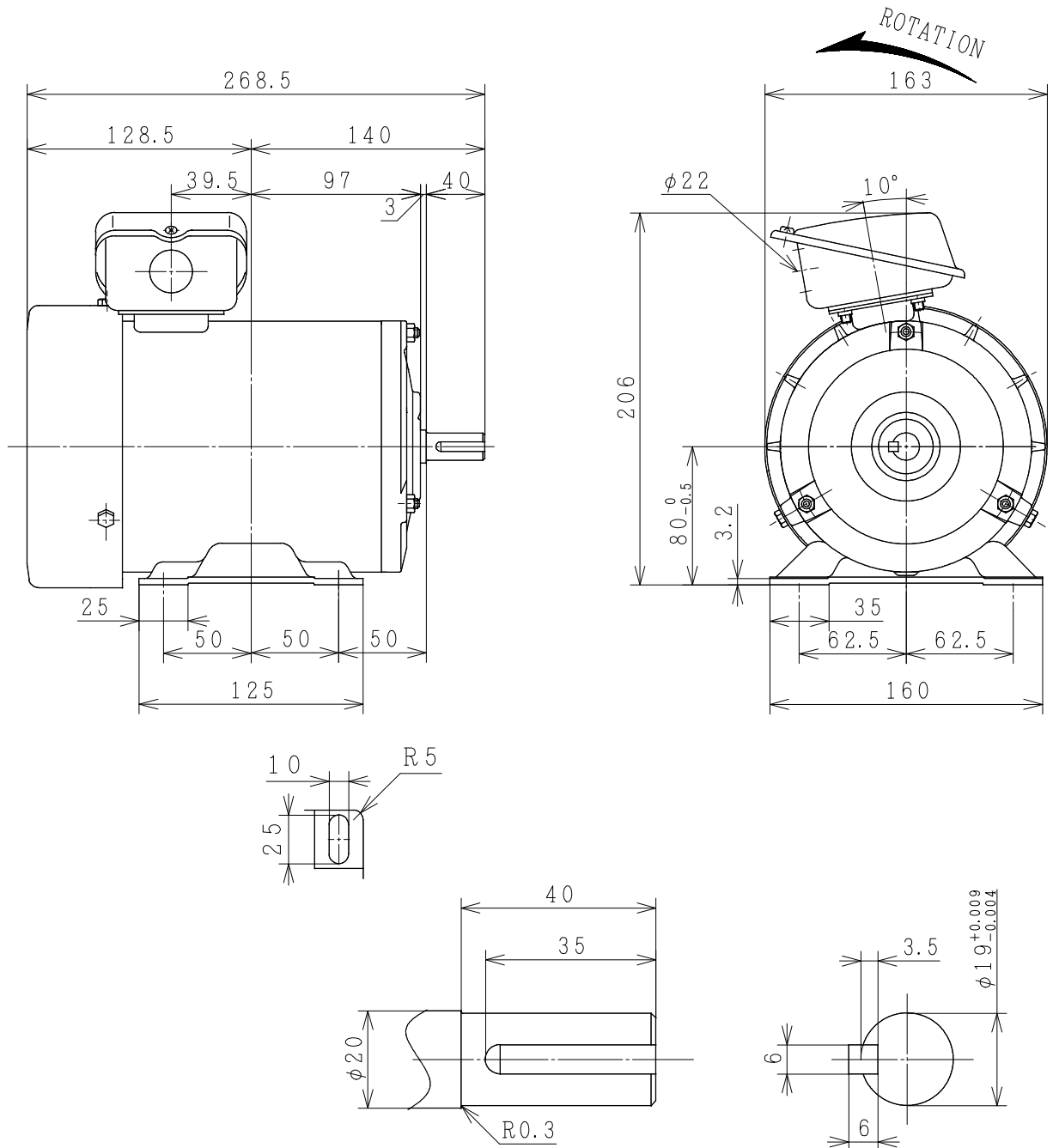


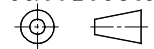
THREE-PHASE INDUCTION MOTOR

OUTPUT	TYPE	FORM	RATING	VOLTAGE (V)	FREQ. (Hz)	SYNC. SPBBD (min ⁻¹)	POLES	TH. CLASS	MASS (kg)
1HP	TFO	K	S1	220/380	50	3000	2	B	13.5
1HP	TFO	K	S1	220/380	50	1500	4	B	12.5
1/2HP	TFO	K	S1	220/380	50	1000	6	B	16



PROTECTION : IP44

PROJECTION



CUSTOMER	QTY.	ORDER No.	WORK No.	REV.
DIMENSIONS	HITACHI Hitachi Industrial Technology (Thailand), Ltd.		HITT WORKS DWG. No. 4HTD03357	SH.
	FRAME SIZE TFOB-80M (TMHD)			