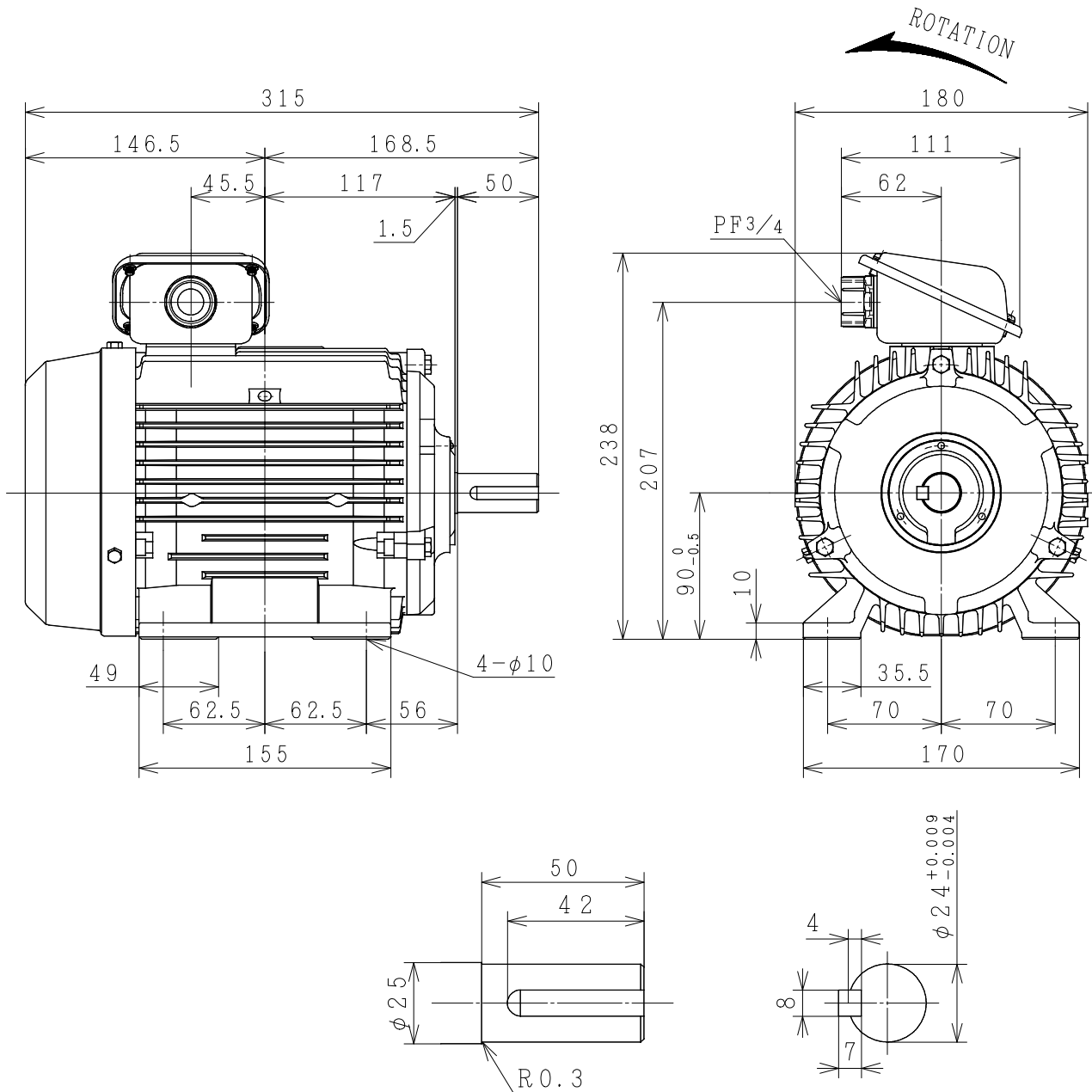
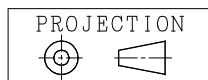


# THREE-PHASE INDUCTION MOTOR

OUTPUT	TYPE	FORM	RATING	VOLTAGE (V)	FREQ. (Hz)	SYNC. SPBBD (min <sup>-1</sup> )	POLES	TH. CLASS	MASS (kg)
2HP	TFO	K	S1	220/380	50	3000	2	F	15
3HP	TFO	K	S1	220/380	50	3000	2	F	16
2HP	TFO	K	S1	220/380	50	1500	4	F	16
1HP	TFO	K	S1	220/380	50	1000	6	F	16



PROTECTION : IP55



CUSTOMER	QTY.	ORDER No.	WORK No.	REV.
DIMENSIONS	<b>HITACHI</b> Hitachi Industrial Technology (Thailand), Ltd.		HITT WORKS DWG. No. 4HTD03360	SH.

FRAME SIZE TFOD-90L (TMHD)