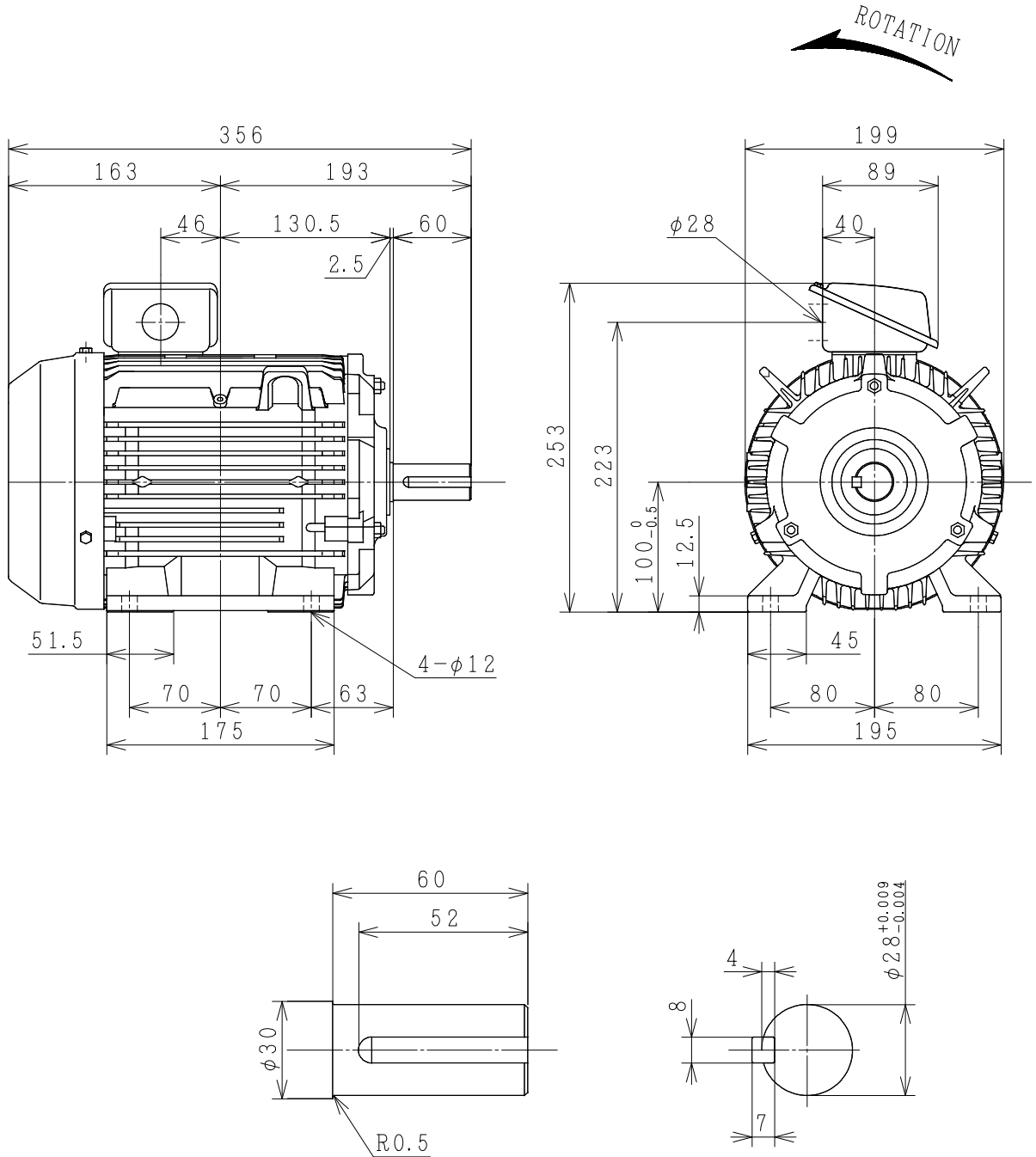
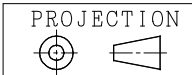


# THREE-PHASE INDUCTION MOTOR

| OUTPUT | TYPE | FORM | RATING | VOLTAGE (V) | FREQ. (Hz) | SYNC. SPBED (min <sup>-1</sup> ) | POLES | TH. CLASS | MASS (kg) |
|--------|------|------|--------|-------------|------------|----------------------------------|-------|-----------|-----------|
| 3HP    | TFO  | K    | S1     | 220/380     | 50         | 1500                             | 4     | B         | 21        |
| 2HP    | TFO  | K    | S1     | 220/380     | 50         | 1000                             | 6     | B         | 23        |



PROTECTION : IP44



|            |  |           |                     |      |
|------------|--|-----------|---------------------|------|
| CUSTOMER   | QTY.   | ORDER No. | WORK No.            | REV. |
| DIMENSIONS | <b>HITACHI</b><br>Hitachi Industrial Technology (Thailand), Ltd. |           | HITT WORKS DWG. No. | SH.  |
|            |  |           | 4HTD03361           |      |

FRAME SIZE TFOD-100L (TMHD)