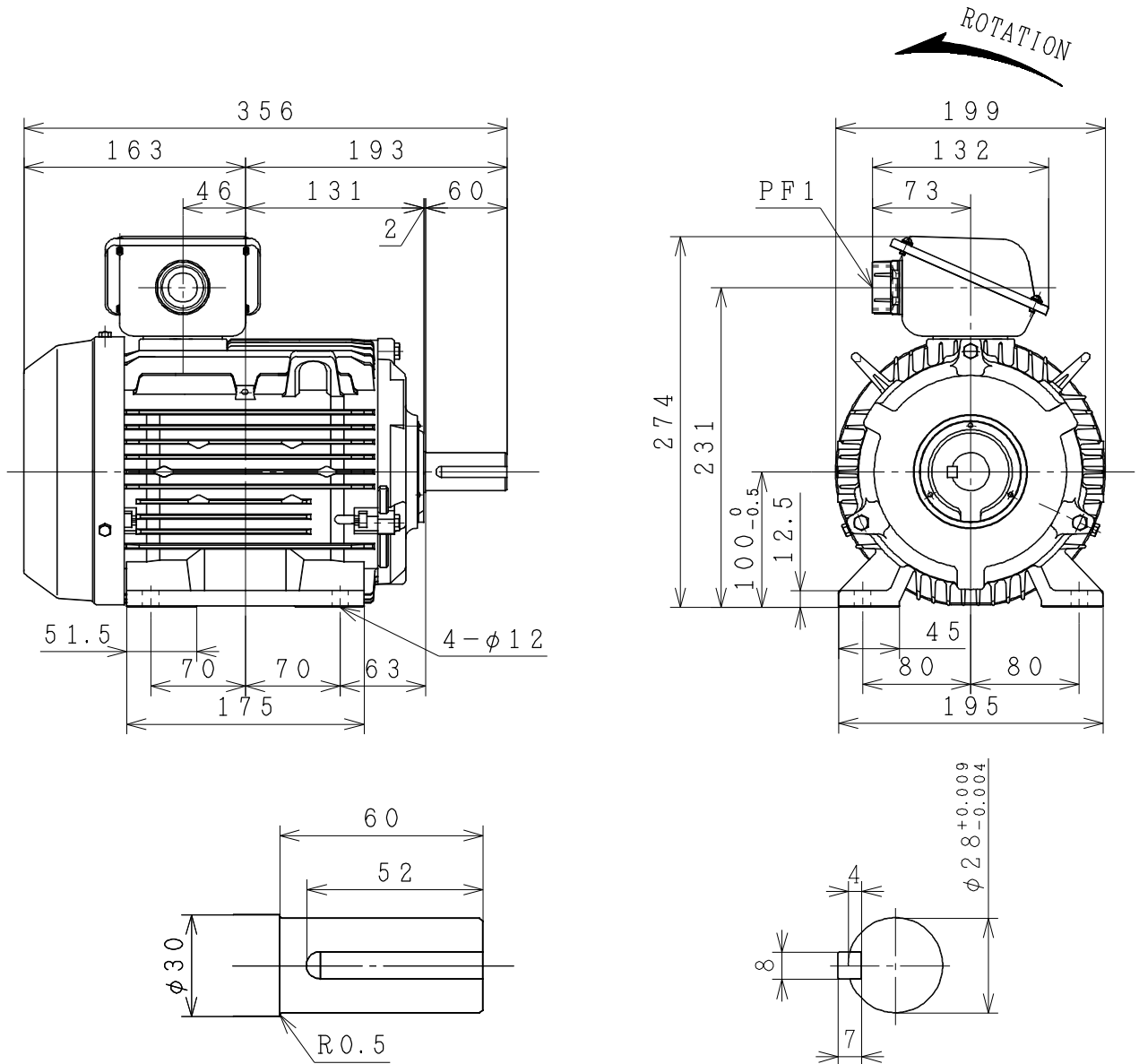


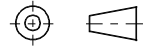
THREE-PHASE INDUCTION MOTOR

OUTPUT	TYPE	FORM	RATING	VOLTAGE (V)	FREQ. (Hz)	SYNC. SPEED (min ⁻¹)	POLES	TH. CLASS	MASS (kg)
3HP	TFO	K	S1	220/380	50	1500	4	F	21
2HP	TFO	K	S1	220/380	50	1000	6	F	23



PROTECTION : IP55

PROJECTION



CUSTOMER	QTY.	ORDER No.	WORK No.	REV.
DIMENSIONS	HITACHI Hitachi Industrial Technology (Thailand), Ltd.		HITT WORKS DWG. No.	SH.
			4HTD03362	

FRAME SIZE TFOD-100L (TMHD)