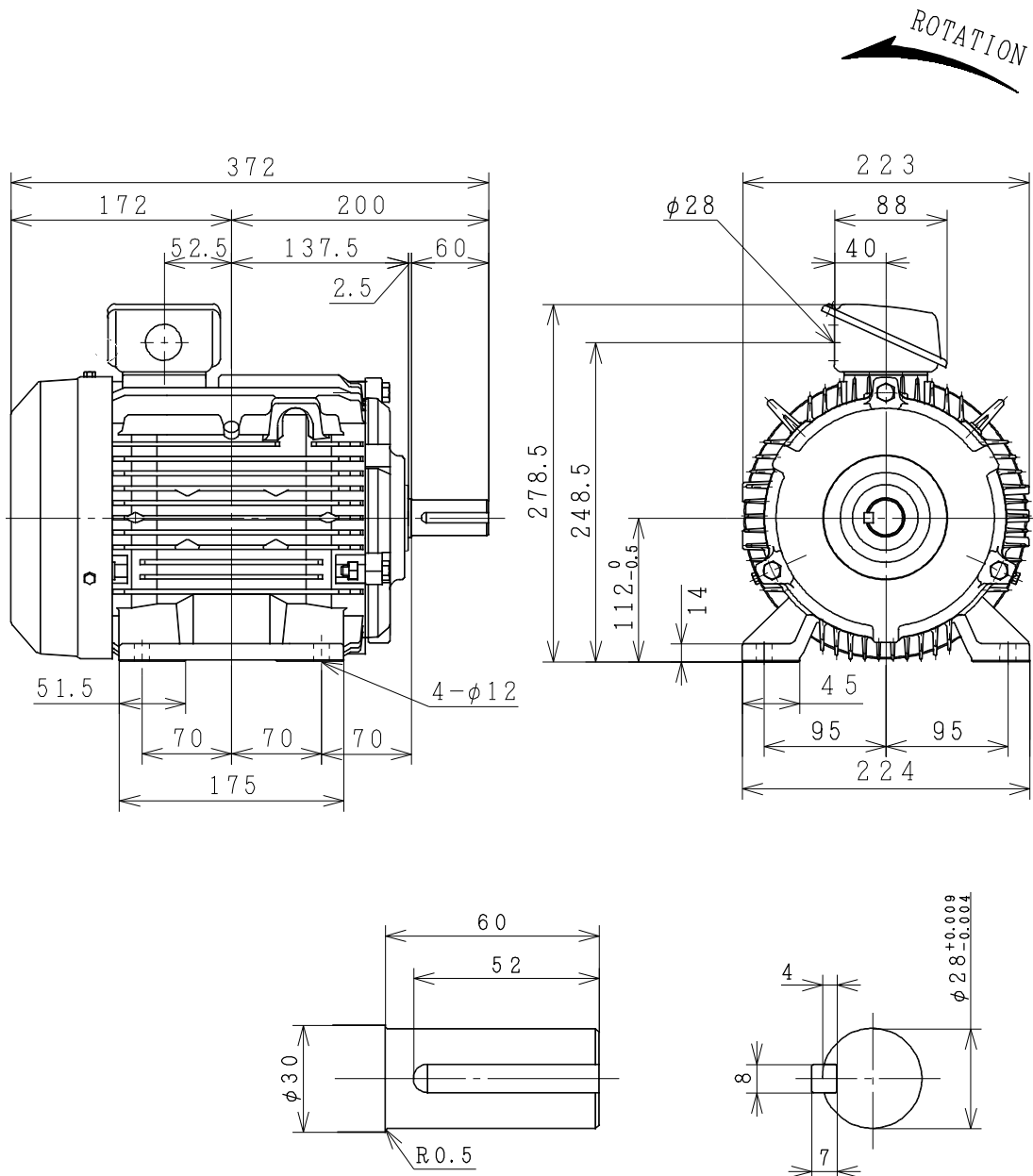


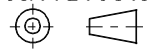
# THREE-PHASE INDUCTION MOTOR

| OUTPUT | TYPE | FORM | RATING | VOLTAGE (V) | FREQ. (Hz) | SYNC. SPEED (min <sup>-1</sup> ) | POLES | TH. CLASS | MASS (kg) |
|--------|------|------|--------|-------------|------------|----------------------------------|-------|-----------|-----------|
| 5HP    | TF0  | K    | S1     | 220/380     | 50         | 3000                             | 2     | B         | 30        |
| 5HP    | TF0  | K    | S1     | 220/380     | 50         | 1500                             | 4     | B         | 32        |
| 3HP    | TF0  | K    | S1     | 220/380     | 50         | 1000                             | 6     | B         | 28        |



PROTECTION : IP44

PROJECTION



|            |  |           |   |      |
|------------|--|-----------|---|------|
| CUSTOMER   | QTY.   | ORDER No. | WORK No.                                | REV. |
| DIMENSIONS | <b>HITACHI</b><br>Hitachi Industrial Technology (Thailand), Ltd. |           | HITT WORKS DWG. No.<br><b>4HTD03363</b> | SH.  |

FRAME SIZE TF0D-112M (TMHD)