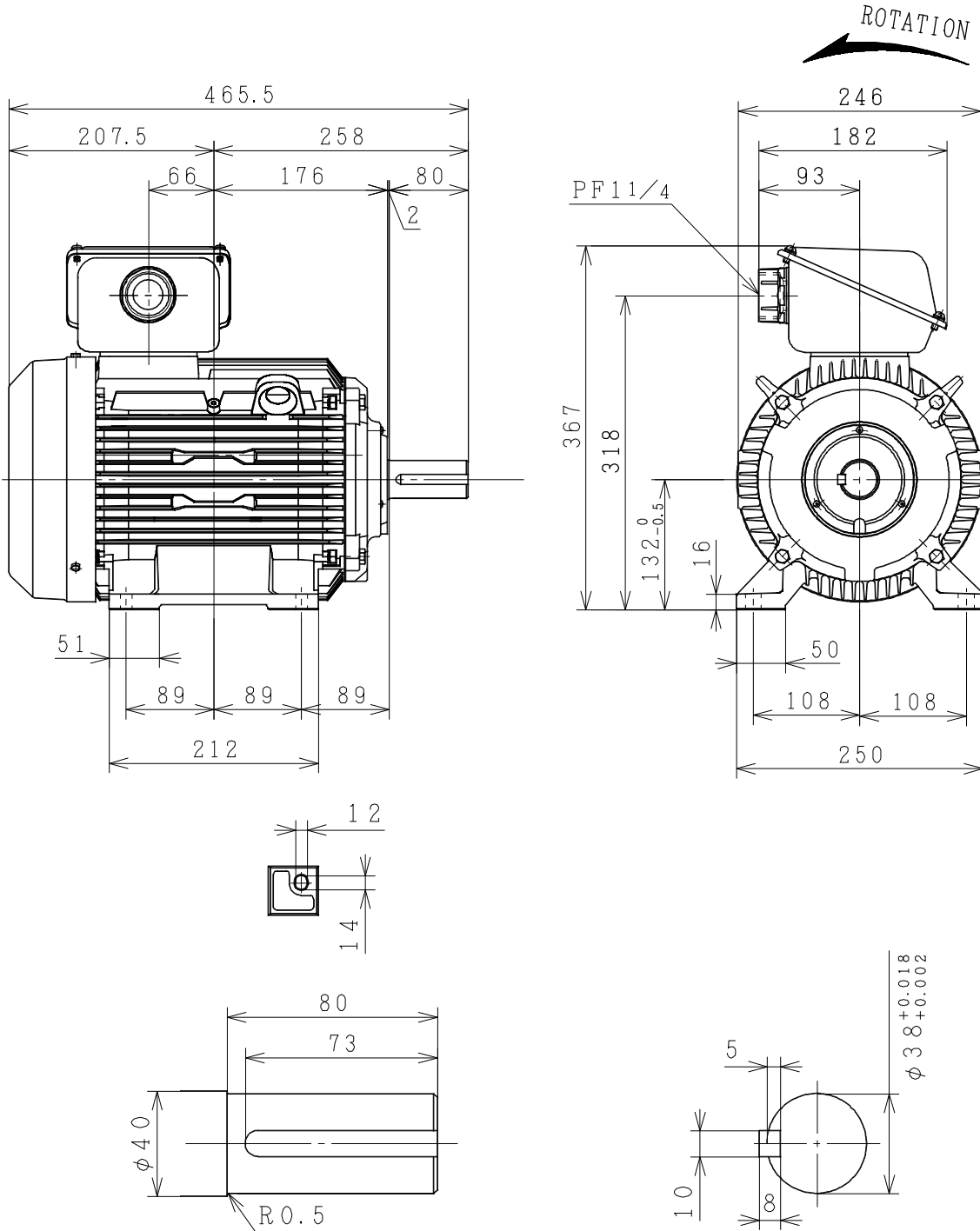
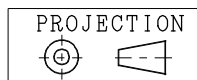


THREE-PHASE INDUCTION MOTOR

OUTPUT	TYPE	FORM	RATING	VOLTAGE (V)	FREQ. (Hz)	SYNC. SPEED (min ⁻¹)	POLES	TH. CLASS	MASS (kg)
10HP	TF0	KK	S1	380/415	50	1500	4	B	52
7.5HP	TF0	KK	S1	380/415	50	1000	6	B	57



PROTECTION : IP55



CUSTOMER	QTY.	ORDER No.	WORK No.	REV.
DIMENSIONS	HITACHI Hitachi Industrial Technology (Thailand), Ltd.		HITT WORKS DWG. No. 4HTD03368	SH.
	FRAME SIZE TF0D-132M (TMHD)			