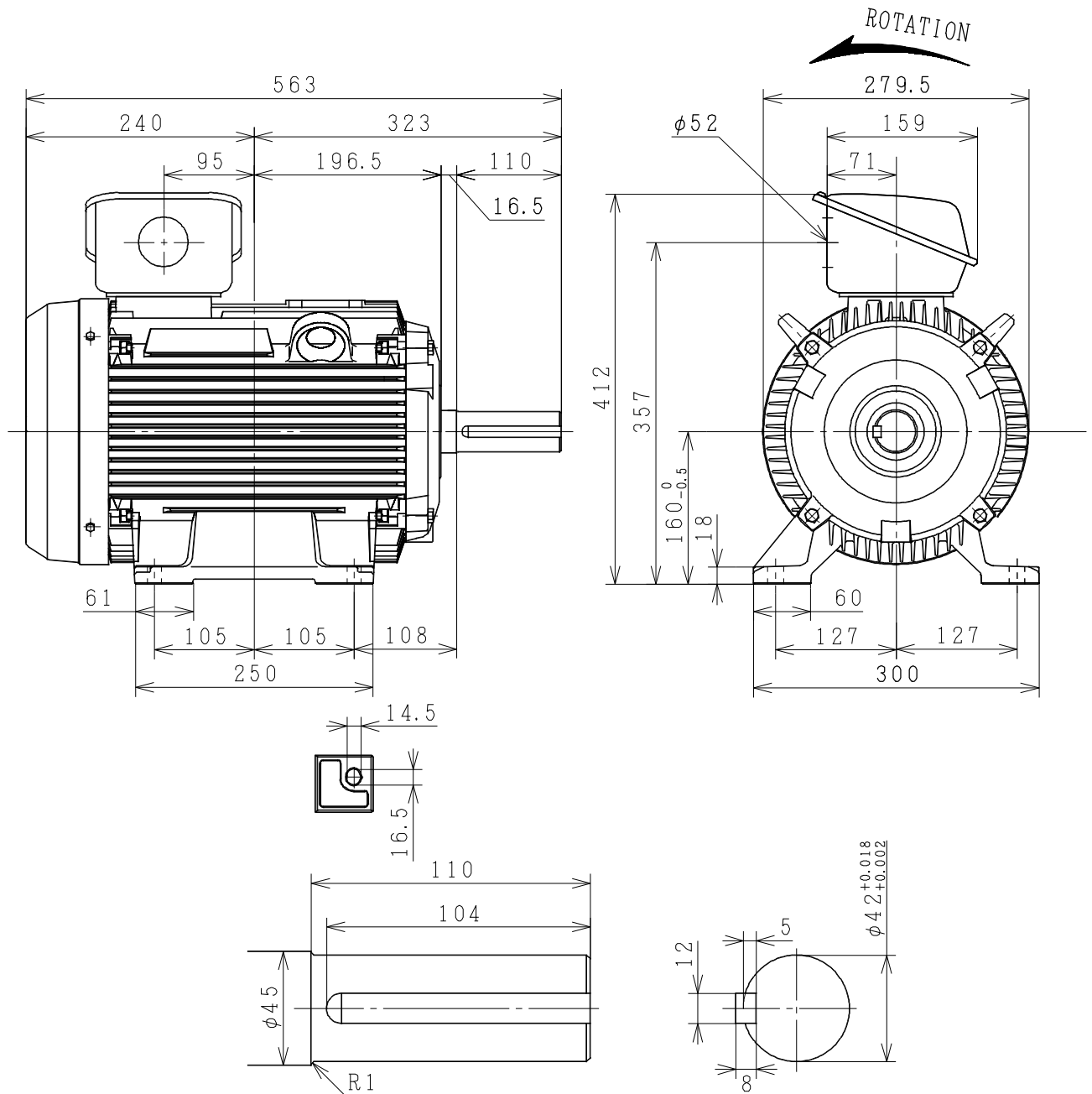


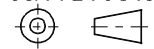
THREE-PHASE INDUCTION MOTOR

OUTPUT	TYPE	FORM	RATING	VOLTAGE (V)	FREQ. (Hz)	SYNC. SPEED (min ⁻¹)	POLES	TH. CLASS	MASS (kg)
15HP	TFO	KK	S1	380/415	50	3000	2	B	70
20HP	TFO	KK	S1	380/415	50	3000	2	B	79
15HP	TFO	KK	S1	380/415	50	1500	4	B	73
10HP	TFO	KK	S1	380/415	50	1000	6	B	75



PROTECTION : IP44

PROJECTION



CUSTOMER	QTY.	ORDER No.	WORK No.	REV.
<h1 style="margin: 0;">DIMENSIONS</h1>	HITACHI Hitachi Industrial Technology (Thailand), Ltd.		HITT WORKS DWG. No. 4HTD03369	SH.

FRAME SIZE TFOD-160M (TMHD)