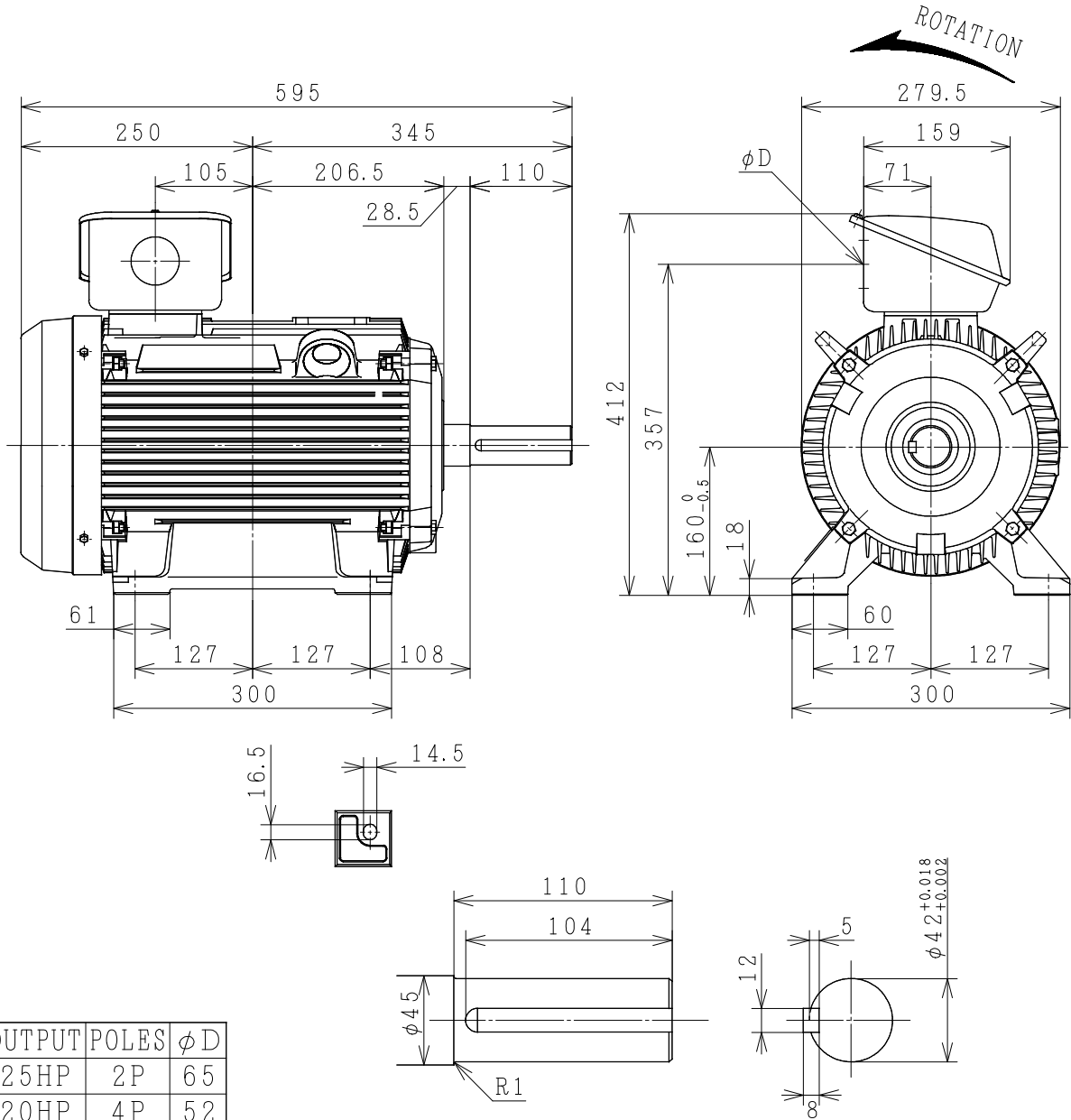


# THREE-PHASE INDUCTION MOTOR

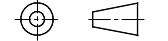
OUTPUT	TYPE	FORM	RATING	VOLTAGE (V)	FREQ. (Hz)	SYNC. SPEED (min <sup>-1</sup> )	POLES	TH. CLASS	MASS (kg)
25HP	TFO	KK	S1	380/415	50	3000	2	B	85
20HP	TFO	KK	S1	380/415	50	1500	4	B	85
15HP	TFO	KK	S1	380/415	50	1000	6	B	90



OUTPUT	POLES	$\phi D$
25HP	2P	65
20HP	4P	52
15HP	6P	52

PROTECTION : IP44

PROJECTION



CUSTOMER	QTY.	ORDER No.	WORK No.	REV.
DIMENSIONS	<b>HITACHI</b> Hitachi Industrial Technology (Thailand), Ltd.		HITT WORKS DWG. No.	SH.
			4HTD03371	
FRAME SIZE TFOD-160L (TMHD)				