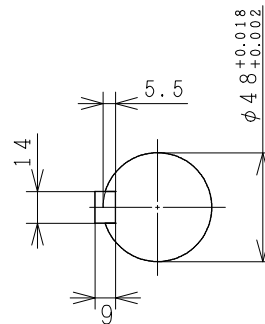
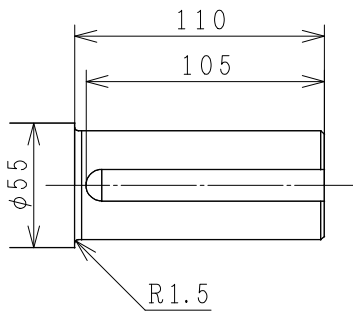
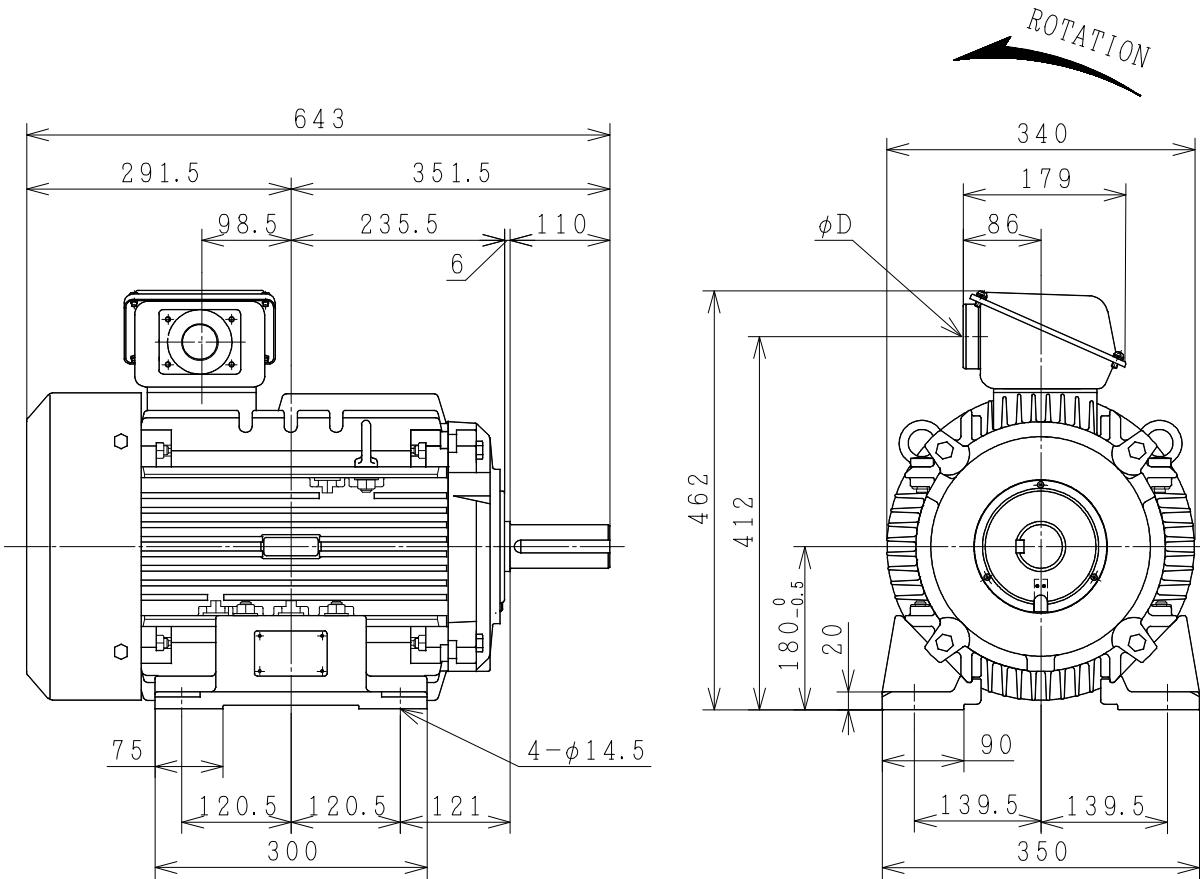


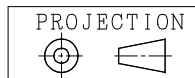
THREE-PHASE INDUCTION MOTOR

OUTPUT	TYPE	FORM	RATING	VOLTAGE (V)	FREQ. (Hz)	SYNC. SPBBD (min ⁻¹)	POLES	TH. CLASS	MASS (kg)
30HP	TFO	KK	S1	380/415	50	3000	2	F	115
25HP	TFO	KK	S1	380/415	50	1500	4	F	120
30HP	TFO	KK	S1	380/415	50	1500	4	F	130
20HP	TFO	KK	S1	380/415	50	1000	6	F	135



OUTPUT	POLES	φ D
30HP	2P	PF2
25HP	4P	PF2
30HP	4P	PF2
20HP	6P	PF1½

PROTECTION : IP55



CUSTOMER	QTY.	ORDER No.	WORK No.	REV.
DIMENSIONS	HITACHI Hitachi Industrial Technology (Thailand), Ltd.		HITT WORKS DWG. No. 4HTD03374	SH.

FRAME SIZE TFOD-180M (TMHD)