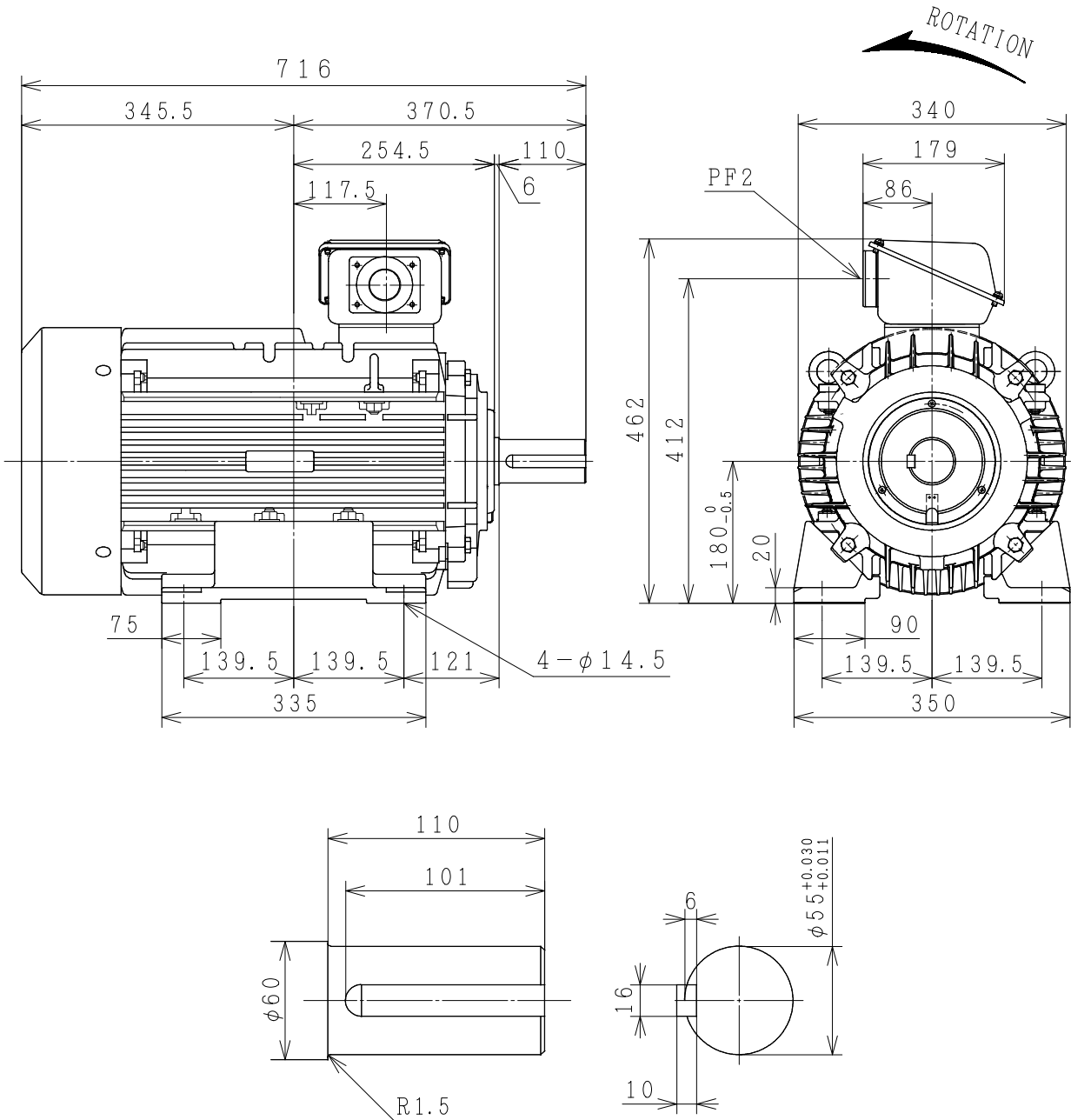


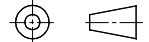
# THREE-PHASE INDUCTION MOTOR

OUTPUT	TYPE	FORM	RATING	VOLTAGE (V)	FREQ. (Hz)	SYNC. SPEED (min <sup>-1</sup> )	POLES	TH. CLASS	MASS (kg)
40HP	TFO	KK	S1	380/415	50	3000	2	F	140
40HP	TFO	KK	S1	380/415	50	1500	4	F	155
25HP	TFO	KK	S1	380/415	50	1000	6	F	150
30HP	TFO	KK	S1	380/415	50	1000	6	F	160



PROTECTION : IP55

PROJECTION



CUSTOMER	QTY.	ORDER No.	WORK No.	REV.
DIMENSIONS	<b>HITACHI</b> Hitachi Industrial Technology (Thailand), Ltd.		HITT WORKS DWG. No. 4HTD03376	SH.
	FRAME SIZE TFOD-180L (TMHD)			