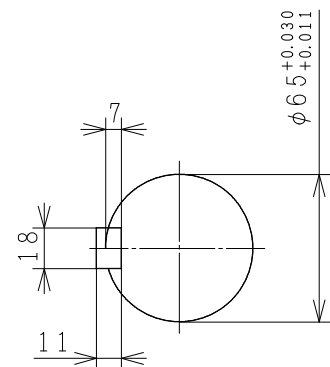
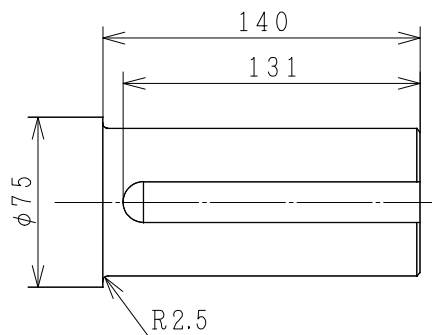
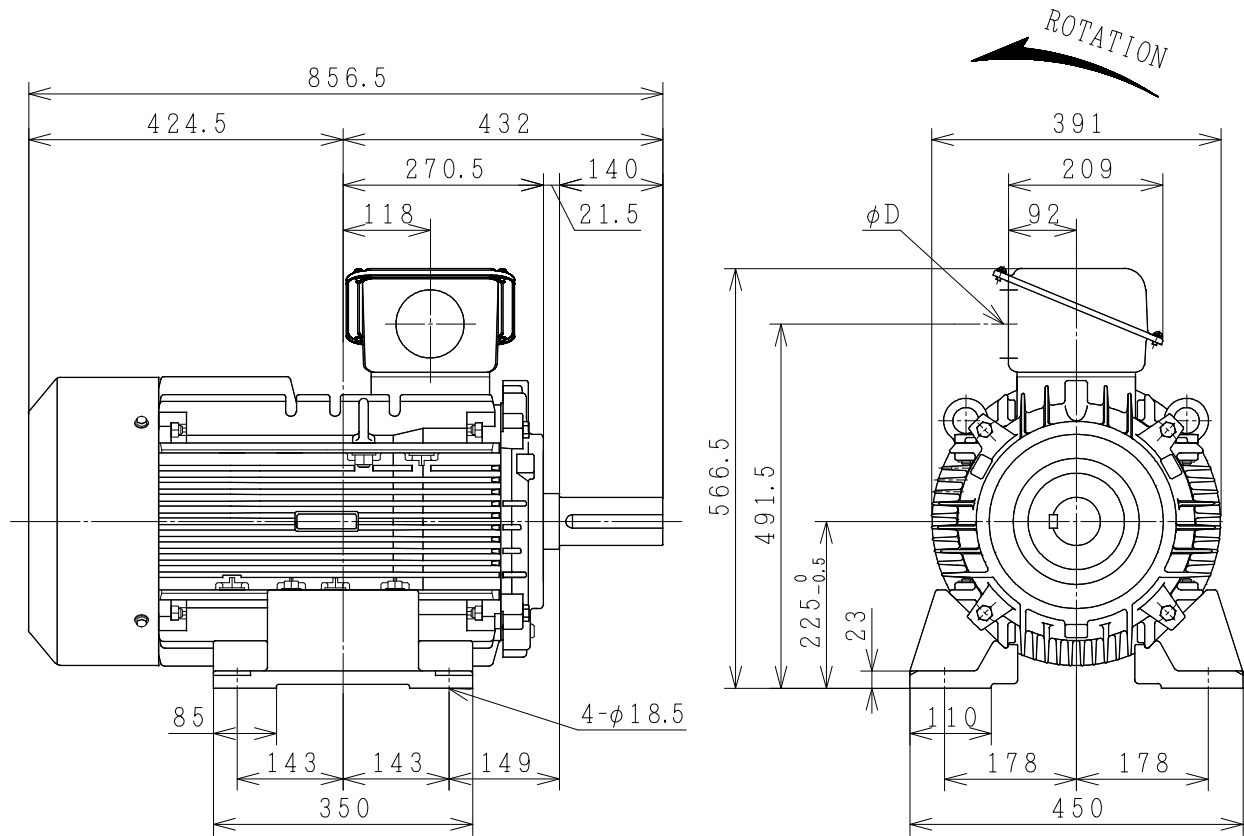


THREE-PHASE INDUCTION MOTOR

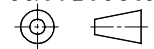
OUTPUT	TYPE	FORM	RATING	VOLTAGE (V)	FREQ. (Hz)	SYNC. SPBBD (min ⁻¹)	POLES	TH. CLASS	MASS (kg)
75HP	TFO	KK	S1	380/415	50	3000	2	F	235
75HP	TFO	KK	S1	380/415	50	1500	4	F	260
60HP	TFO	KK	S1	380/415	50	1000	6	F	265



OUTPUT	POLES	ϕD
75HP	2P	92
75HP	4P	92
60HP	6P	78

PROTECTION : IP44

PROJECTION



CUSTOMER	QTY.	ORDER No.	WORK No.	REV.
DIMENSIONS	HITACHI Hitachi Industrial Technology (Thailand), Ltd.		HITT WORKS DWG. No. 4HTD03379	SH.

FRAME SIZE TFOD-225S (TMHD)