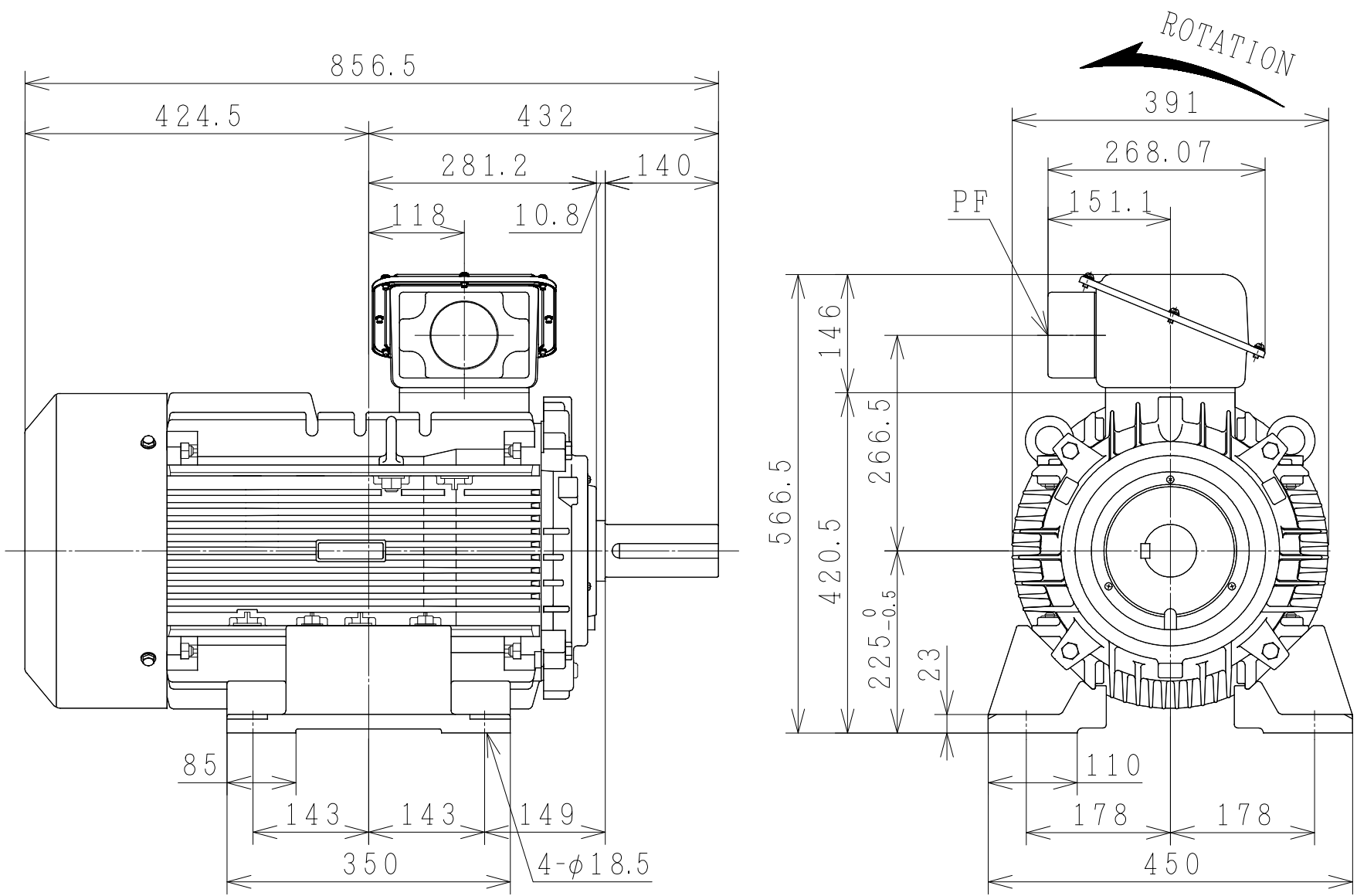


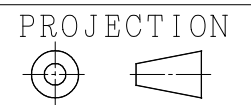
THREE-PHASE INDUCTION MOTOR

OUTPUT	TYPE	FORM	RATING	VOLTAGE (V)	FREQ. (Hz)	SYNC. SPEED (min ⁻¹)	POLES	TH. CLASS	MASS (kg)
75HP	TFO	KK	S1	380/415	50	1500	4	F	260
60HP	TFO	KK	S1	380/415	50	1000	6	F	265



OUTPUT	POLES	PF
75HP	4P	PF3
60HP	6P	PF21/2

PROTECTION : IP55



CUSTOMER	QTY.	ORDER No.	WORK No.	REV.
DIMENSIONS	HITACHI Hitachi Industrial Technology (Thailand),Ltd.		HITT WORKS DWG. No. 4HTD03380	SH.
	FRAME SIZE TFOAD-225S (TMHD)			