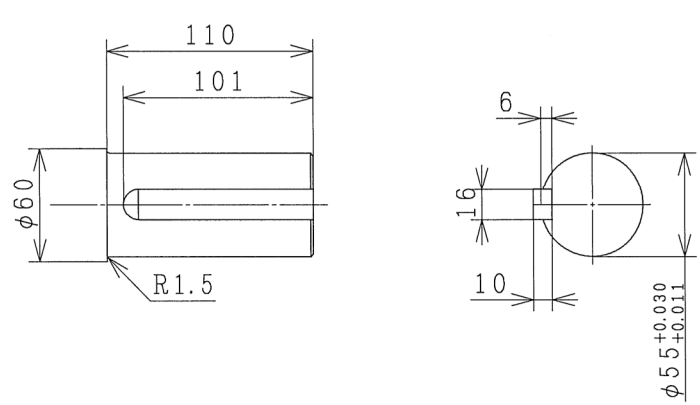
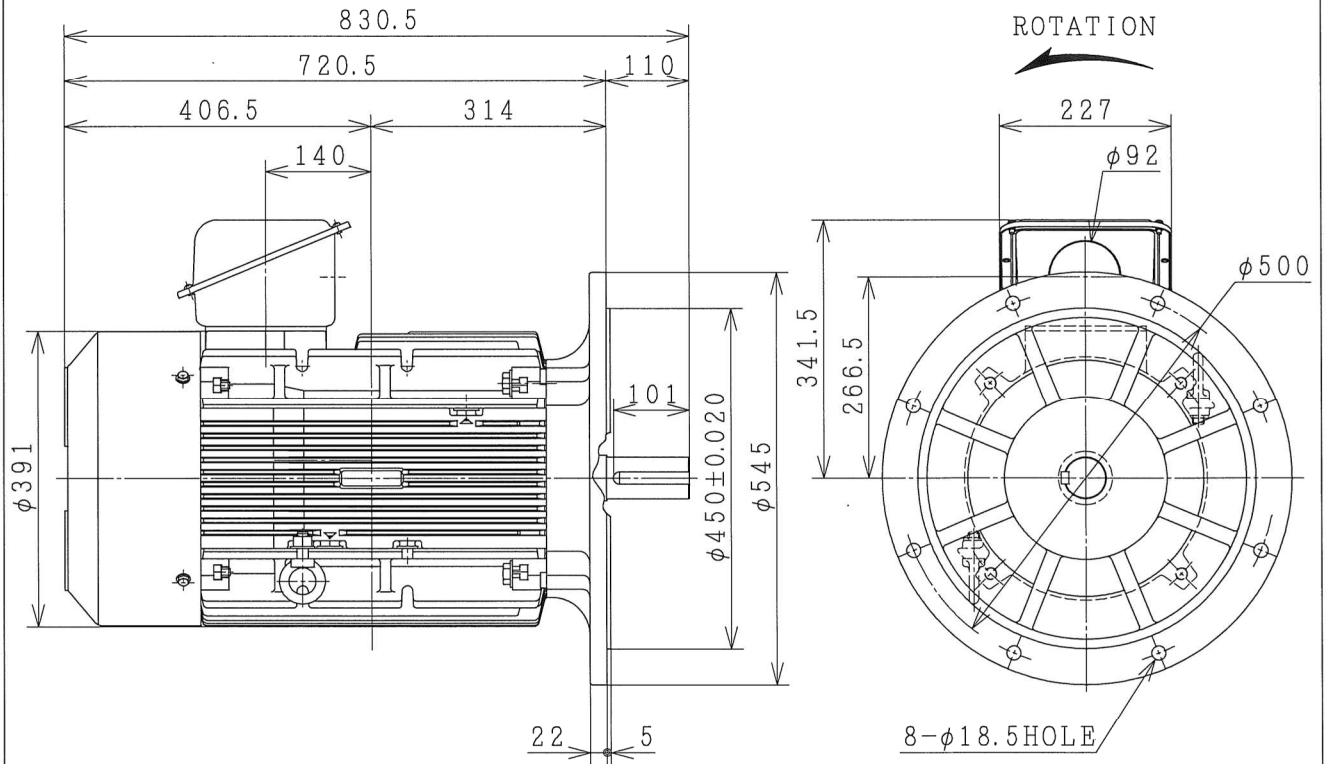
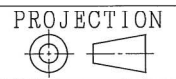


# THREE-PHASE INDUCTION MOTOR

OUT PUT	TYPE	FORM	RATING	VOLTS	HERTZ	SYNC. SPEED (min <sup>-1</sup> )	POLES	TH. CLASS	MASS (kg)
<b>75HP</b>	<b>VTFO</b>	<b>KK</b>	<b>S1</b>	<b>380/415</b>	<b>50</b>	<b>3000</b>	<b>2</b>	<b>F</b>	



PROTECTION IP44



CUSTOMER			QTY.	ORDER NO.	WORK NO.	REV.
DWN	S. WICHIAN	22-Jun-2016				SH.
CHKD	<i>D. Wichean</i>		DIMENSIONS			
APPD	<i>M. Hemjano</i>		HITACHI Hitachi Industrial Technology (Thailand), Ltd.			4HTD03461
FRAME SIZE			VTFOD-FF500 (225SB)			