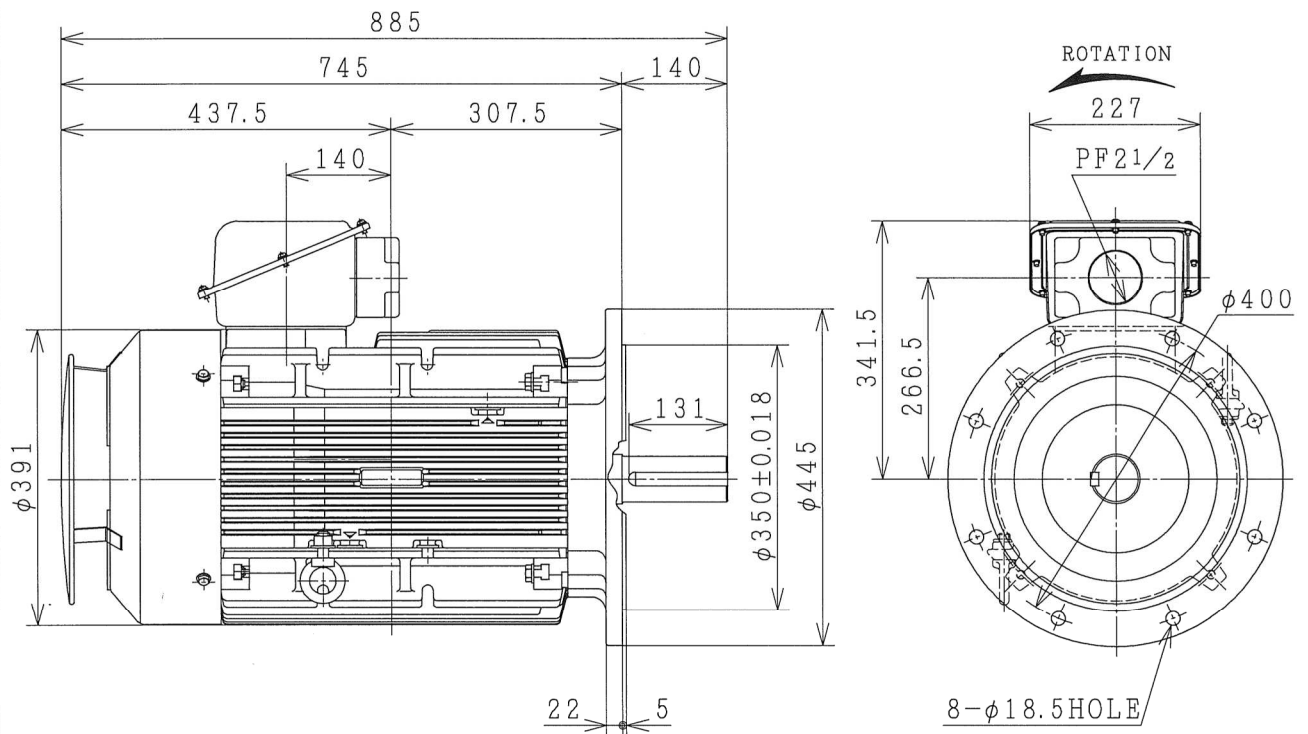
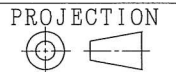


THREE-PHASE INDUCTION MOTOR

OUT PUT	TYPE	FORM	RATING	VOLTS	HERTZ	SYNC. SPEED (min ⁻¹)	POLES	TH. CLASS	MASS (kg)
50HP	VTFO	KK	S1	380/415	50	1500	4	F	
60HP	VTFO	KK	S1	380/415	50	1500	4	F	
40HP	VTFO	KK	S1	380/415	50	1000	6	F	
50HP	VTFO	KK	S1	380/415	50	1000	6	F	



PROTECTION IP55



CUSTOMER			QTY.	ORDER NO.	WORK NO.	REV.
DWN	S. WICHIAN	22-Jun-2016	<div style="display: flex; justify-content: space-around; align-items: center;"> <div style="text-align: center;"> <h2 style="margin: 0;">DIMENSIONS</h2> <p style="font-size: small; margin: 0;">Hitachi Industrial Technology (Thailand), Ltd.</p> </div> <div style="text-align: center;"> <h2 style="margin: 0;">HITACHI</h2> <p style="font-size: small; margin: 0;">Hitachi Industrial Technology (Thailand), Ltd.</p> </div> <div style="text-align: center;"> <h1 style="margin: 0;">4HTD03465</h1> </div> </div>			SH.
CHKD	<i>D. Khadee</i>					
APPD	<i>M. Hamyee</i>					
FRAME SIZE			VTFOD-FF400 (200L)			