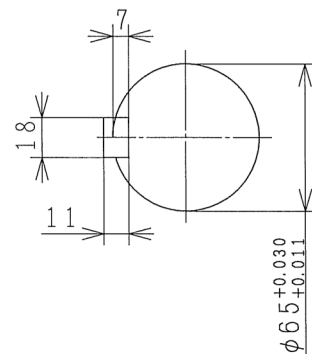
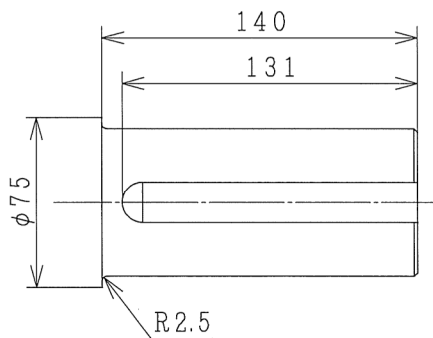
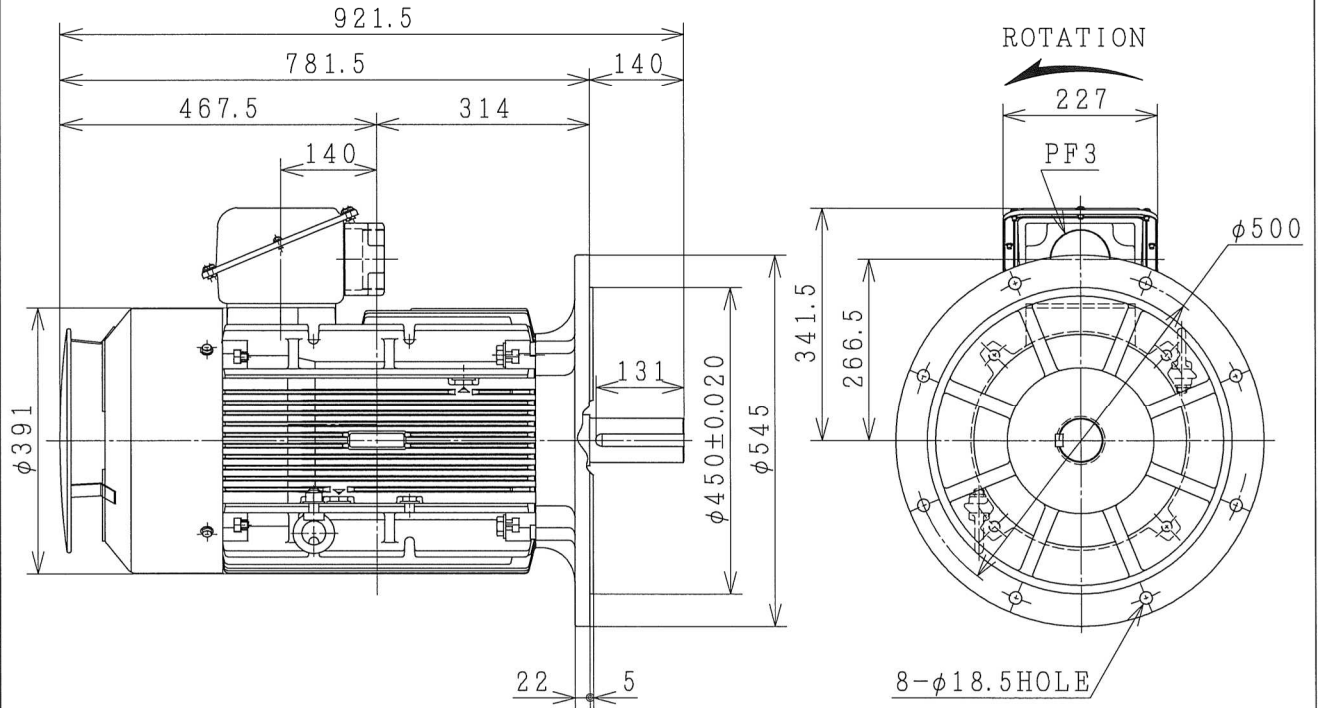
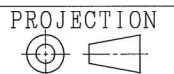


THREE-PHASE INDUCTION MOTOR

| OUT PUT | TYPE | FORM | RATING | VOLTS | HERTZ | SYNC. SPEED (min ⁻¹) | POLES | TH. CLASS | MASS (kg) |
|-------------|-------------|-----------|-----------|----------------|-----------|----------------------------------|----------|-----------|-----------|
| 75HP | VTFO | KK | S1 | 380/415 | 50 | 1500 | 4 | F | |
| 60HP | VTFO | KK | S1 | 380/415 | 50 | 1000 | 6 | F | |



PROTECTION IP55



| | | | | | | |
|------------|-------------------|--------------------|--|-----------|----------|-----------|
| CUSTOMER | | | QTY. | ORDER NO. | WORK NO. | REV. |
| DWN | S. WICHIAN | 22-Jun-2016 | | | | SH. |
| CHKD | <i>M. Hanjono</i> | | HITACHI Hitachi Industrial Technology (Thailand), Ltd. | | | 4HTD03467 |
| APPD | <i>M. Hanjono</i> | | DIMENSIONS | | | |
| FRAME SIZE | | VTFOD-FF500 (225S) | | | | |