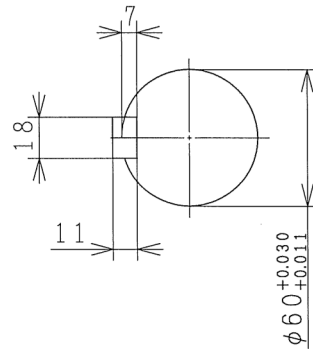
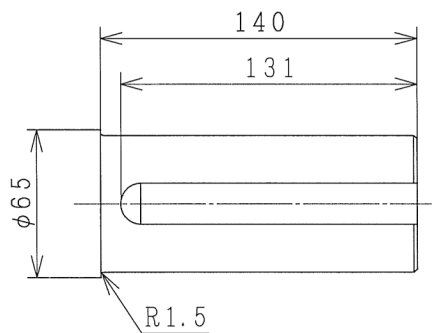
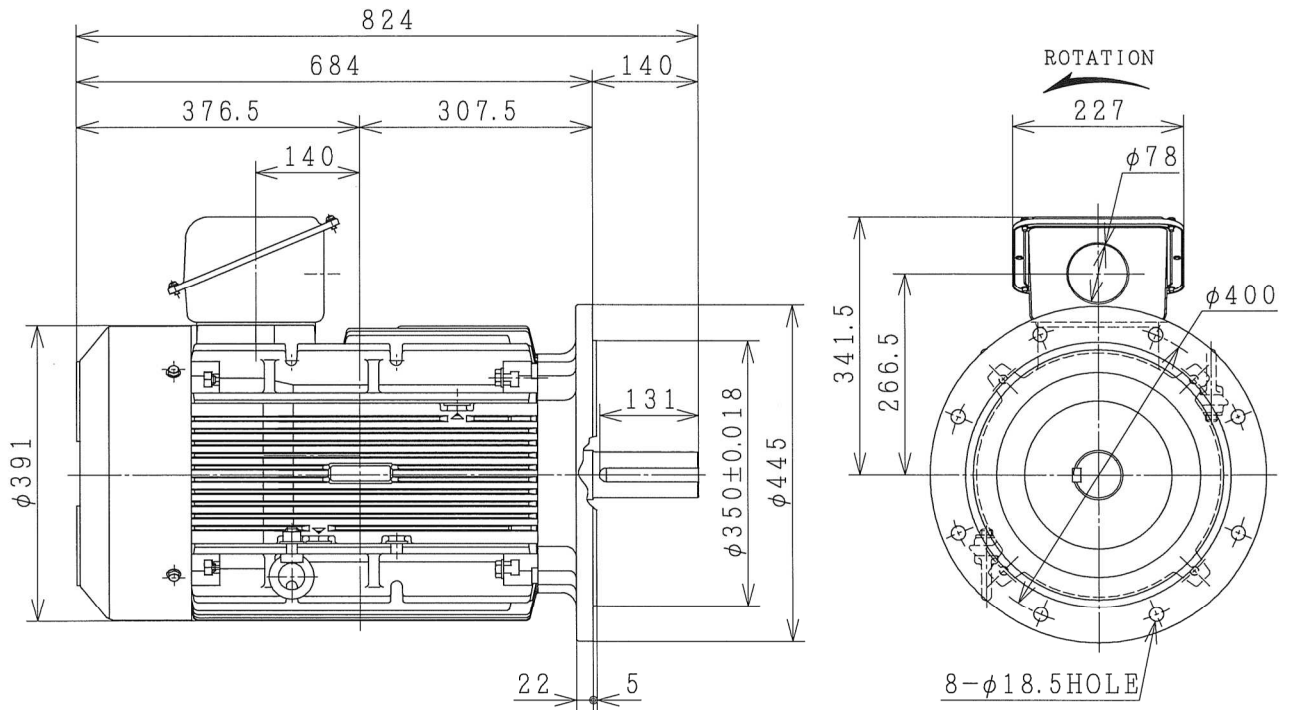
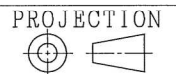


THREE-PHASE INDUCTION MOTOR

OUT PUT	TYPE	FORM	RATING	VOLTS	HERTZ	SYNC. SPEED (min ⁻¹)	POLES	TH. CLASS	MASS (kg)
50HP	VTFO	KK	S1	380/415	50	1500	4	F	
60HP	VTFO	KK	S1	380/415	50	1500	4	F	
40HP	VTFO	KK	S1	380/415	50	1000	6	F	
50HP	VTFO	KK	S1	380/415	50	1000	6	F	



PROTECTION IP44



CUSTOMER			QTY.	ORDER NO.	WORK NO.	REV.
DWN	S. WICHIAN	22-Jun-2016				SH.
CHKD	<i>D. Jitdeon</i>		HITACHI Hitachi Industrial Technology (Thailand), Ltd.			4HTD03468
APPD	<i>Th. Ramyand</i>		DIMENSIONS			
FRAME SIZE		VTFOD-FF400		(200L)		