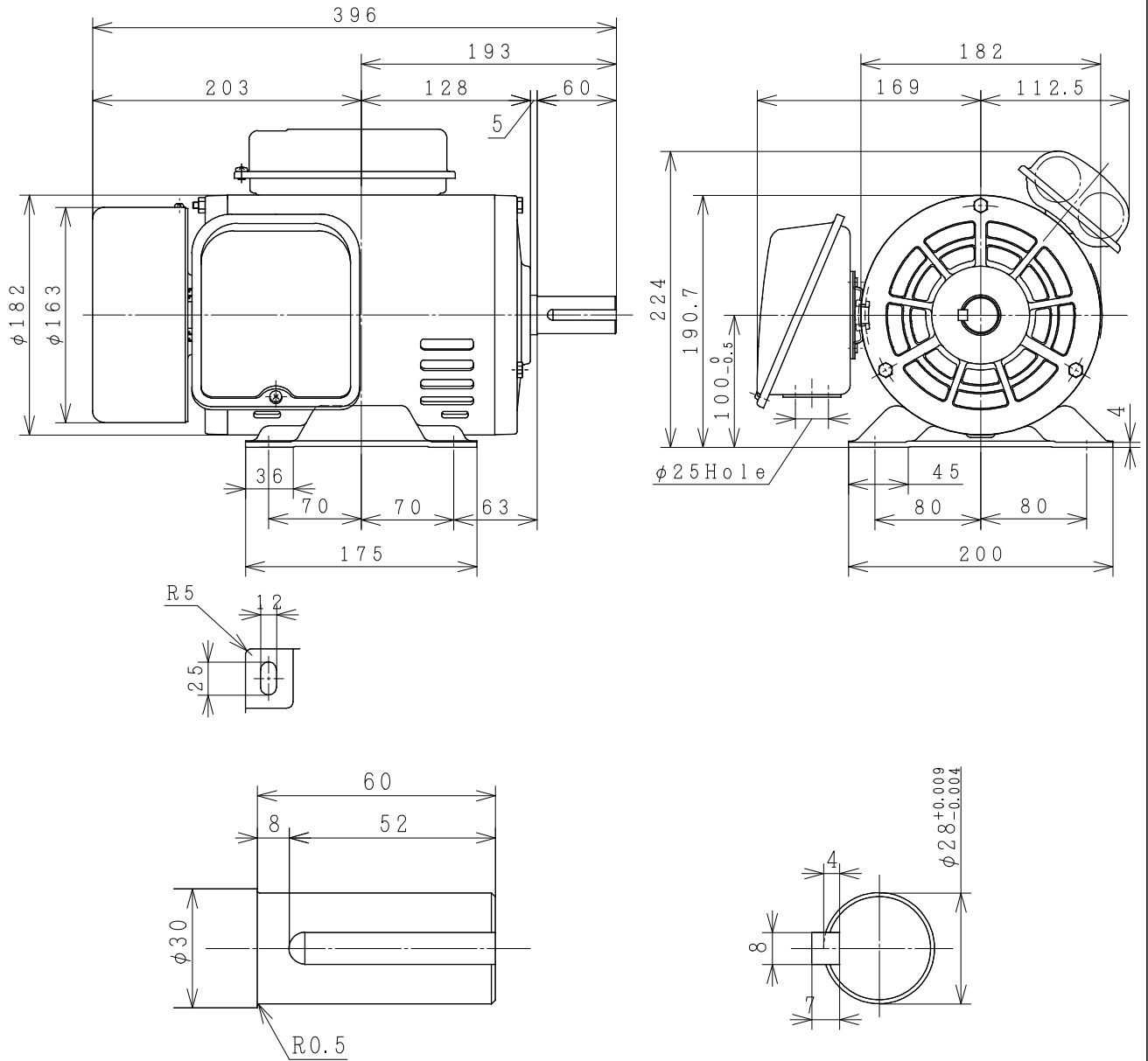
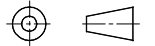


# CAPACITOR START CAPACITOR RUN SINGLE PHASE INDUCTION MOTOR

| OUTPUT | TYPE  | FORM | RATING | VOLTAGE (V) | FREQ. (Hz) | SYNC. SPEED (min <sup>-1</sup> ) | POLES | INS. CLASS | MASS (kg) |
|--------|-------|------|--------|-------------|------------|----------------------------------|-------|------------|-----------|
| 2HP    | EFOUP | KQ   | S1     | 220         | 50         | 1500                             | 4     | B          |           |



PROJECTION



|            |             |          |  |           |          |                     |  |
|------------|-------------|----------|--|-----------|----------|---------------------|--|
| CUSTOMER   |             |          | QTY.   | ORDER No. | WORK No. | REV.                |  |
| DWN.       | W.KANCHIT   | 11-07-13 | <div style="display: flex; align-items: center; justify-content: center;"> <div style="text-align: center;"> <h2 style="margin: 0;">DIMENSIONS</h2> <p style="font-size: small; margin: 0;">Hitachi Industrial Technology (Thailand), Ltd.</p> </div> </div> |           |          | SH.                 |  |
| CHKD.      | W.Thawat    | }        |  |           |          | HITT WORKS DWG. No. |  |
| APPD.      | T.Shimozono |          |  |           |          | 4HTD02620           |  |
| FRAME SIZE |             |          | EFOUP-KQ (100)   |           |          |                     |  |