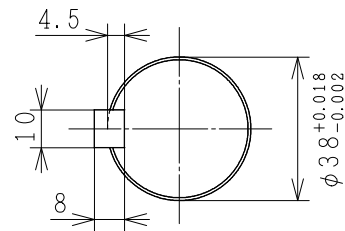
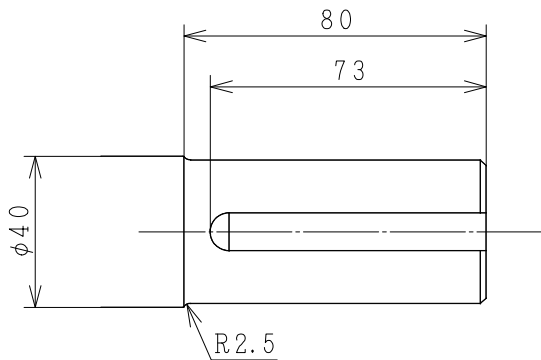
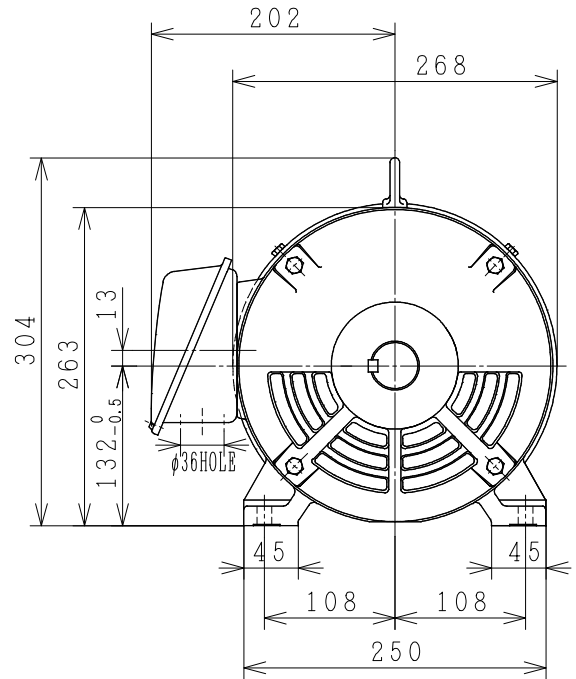
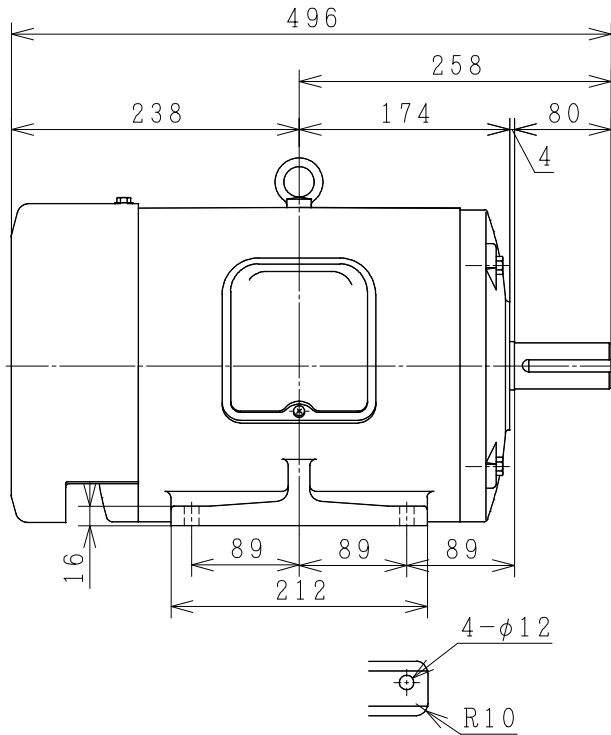


# CAPACITOR START CAPACITOR RUN SINGLE PHASE INDUCTION MOTOR

OUTPUT	TYPE	FORM	RATING	VOLTAGE (V)	FREQ. (Hz)	SYNC. SPEED (min <sup>-1</sup> )	POLES	INS. CLASS	MASS (kg)
5HP	EFOUP	KQ	S1	220	50	1500	4	B	
7.5HP	EFOUP	KQ	S1	220	50	1500	4	B	



PROJECTION

CUSTOMER			QTY.	ORDER No.	WORK No.	REV.	
DWN.	P. Tianchai	08-JUNE-2015	<div style="display: flex; justify-content: space-around; align-items: center;"> <div style="font-size: 2em; font-weight: bold;">DIMENSIONS</div> <div style="text-align: center;"> <b>HITACHI</b>  <small>Hitachi Industrial Technology (Thailand), Ltd.</small> </div> </div>			HITT WORKS DWG. No.	SH.
CHKD.	W. Thawat	}				4HTD02705	
APPD.	T. Shimozone						
FRAME SIZE			EFOUP-KQ (132)				