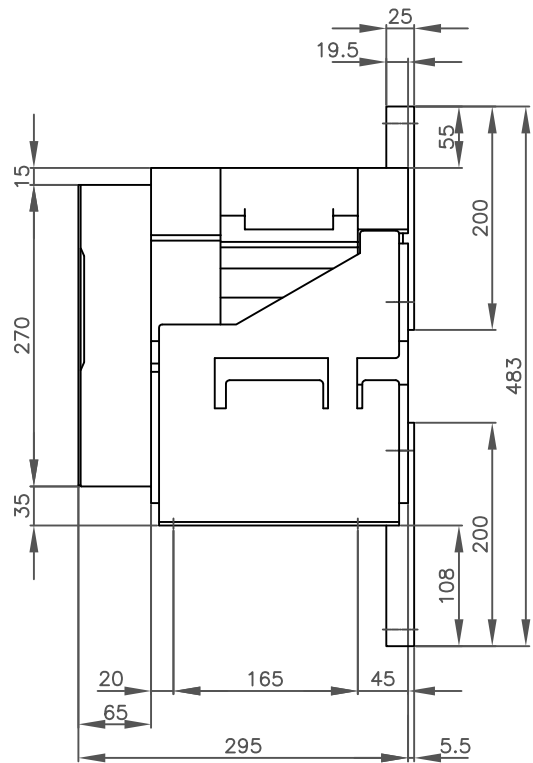
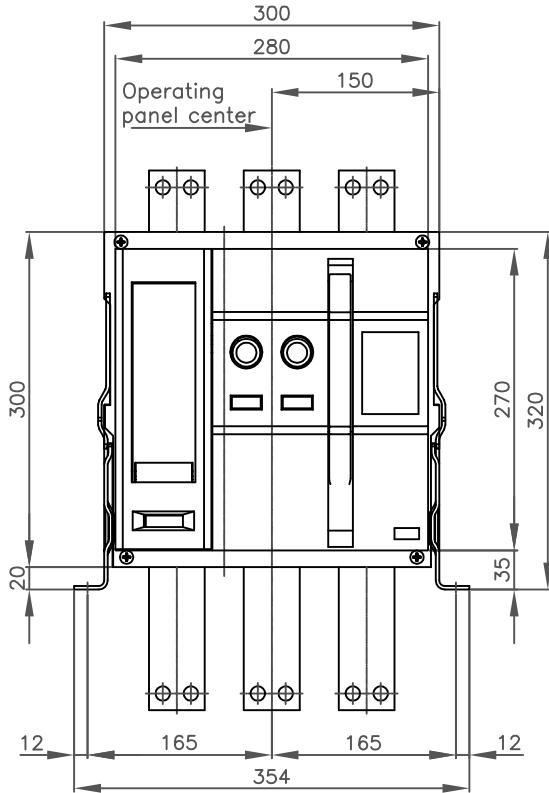
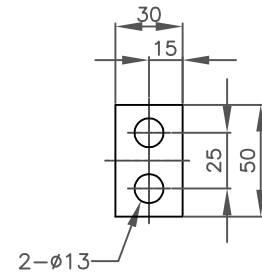
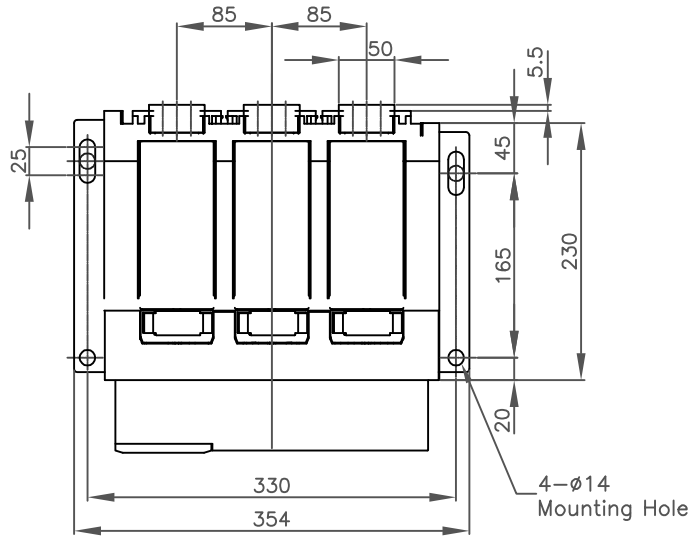


HITACHI AIR CIRCUIT BREAKER

Type	Ampere Frame	Frame size & Phase array	No. of Pole	Rate Current (CT Spec)	Connections
AKH	AKN	630AF	3P (D)	200A	FIXED TYPE P : FRONT TYPE (OPTION)
		830AF		400A	
		1000AF		630A	
		1250AF		800A	
		1600AF		1000A	
				1250A	
				1600A	



DWN.	W.SIRAPHAT	16/03/17	PROJECTION	TITLE
CHKD.	<i>C. Kiattisak</i>		SCALE	DIMENSION OF AKH/AKN-06~16-D3
APPD.	<i>Thakijudh</i>		NTS.	
HITACHI Hitachi Industrial Technology(Thailand),Ltd.				HITT WORKS DWG. No.
				4HTN001000
				REV.
				00
				SH.
				01
				01

*REMARK
-DIMENSION UNIT = Millimeter(mm).