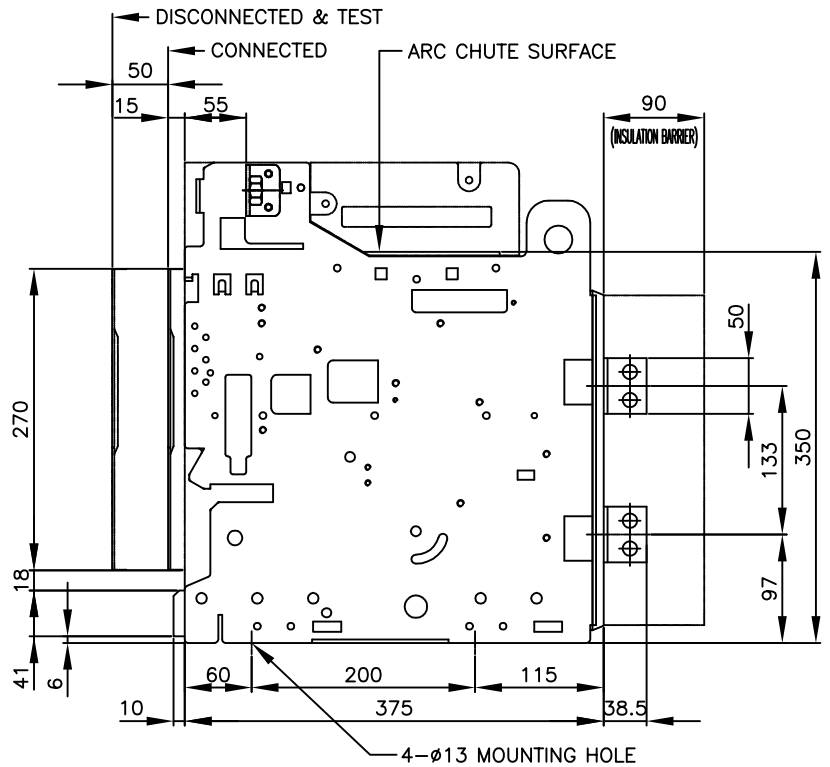
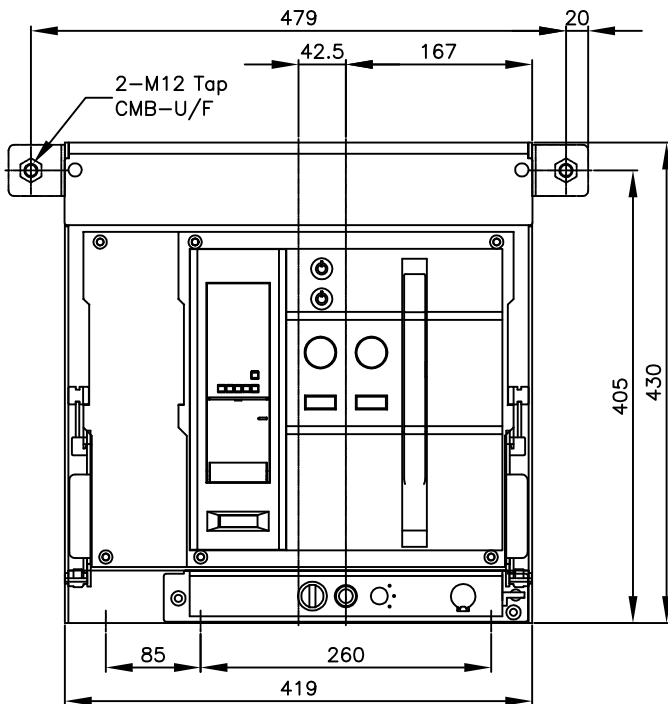
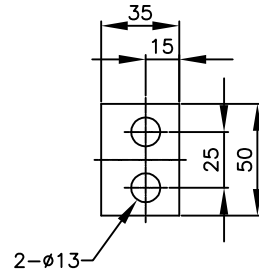
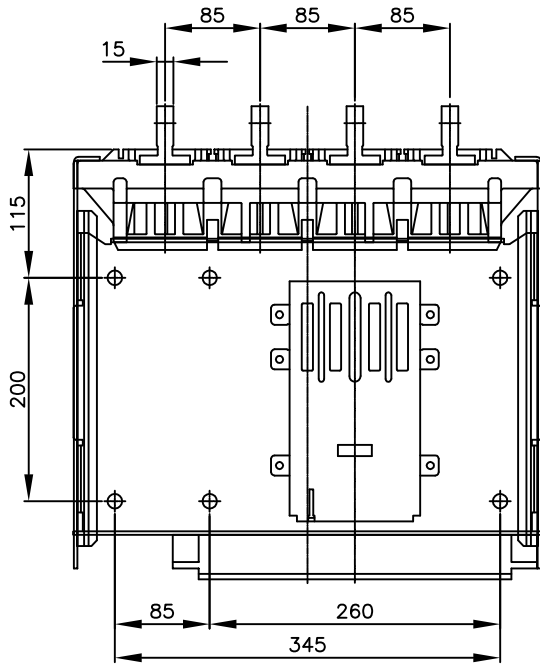


HITACHI AIR CIRCUIT BREAKER

Type	Ampere Frame	Frame size & Phase array	No. of Pole	Rate Current (CT Spec)	Connections
AKH	AKN	D FRAME TYPE R S T (N)	4P (D)	200A	DRAW-OUT TYPE V : VERTICAL TYPE (OPTION)
				400A	
				630A	
				800A	
				1000A	
				1250A	
				1600A	



DWN.	W.SIRAPHAT	06/03/17	PROJECTION	TITLE
CHKD.	<i>C. Kiattisak</i>		SCALE	DIMENSION OF AKH/AKN-06~16-D4
APPD.	<i>Thakijudh</i>		NTS.	
HITACHI Hitachi Industrial Technology(Thailand),Ltd.				HITT WORKS DWG. No.
				4HTN001005
				REV.
				00
				SH.
				01
				01

*REMARK
-DIMENSION UNIT = Millimeter(mm).