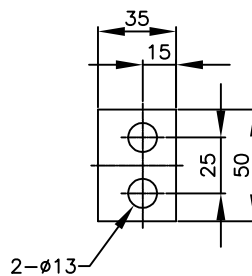
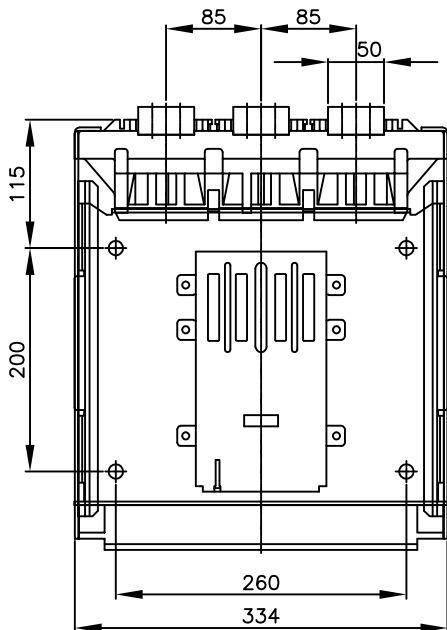
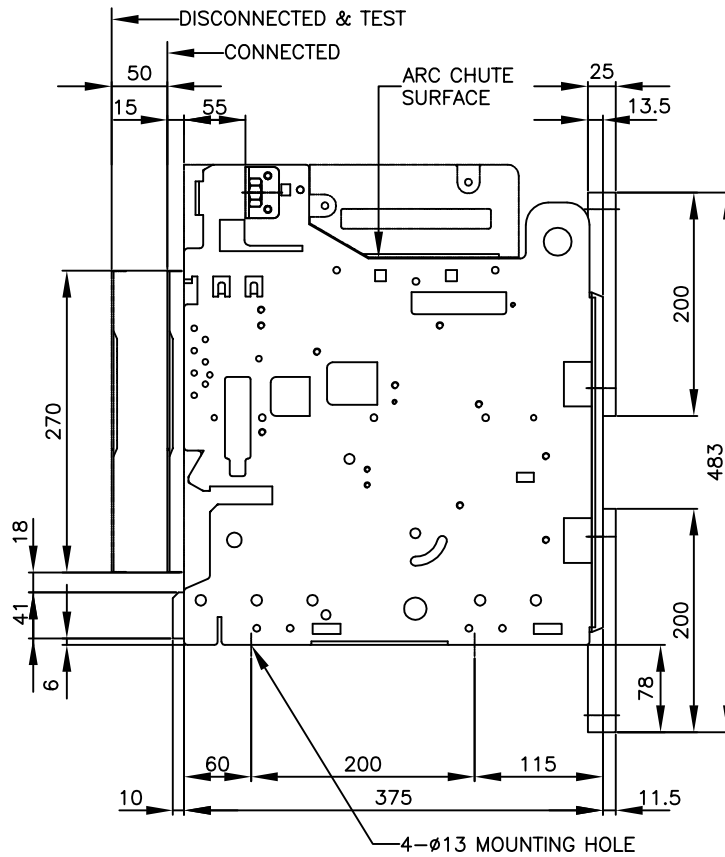
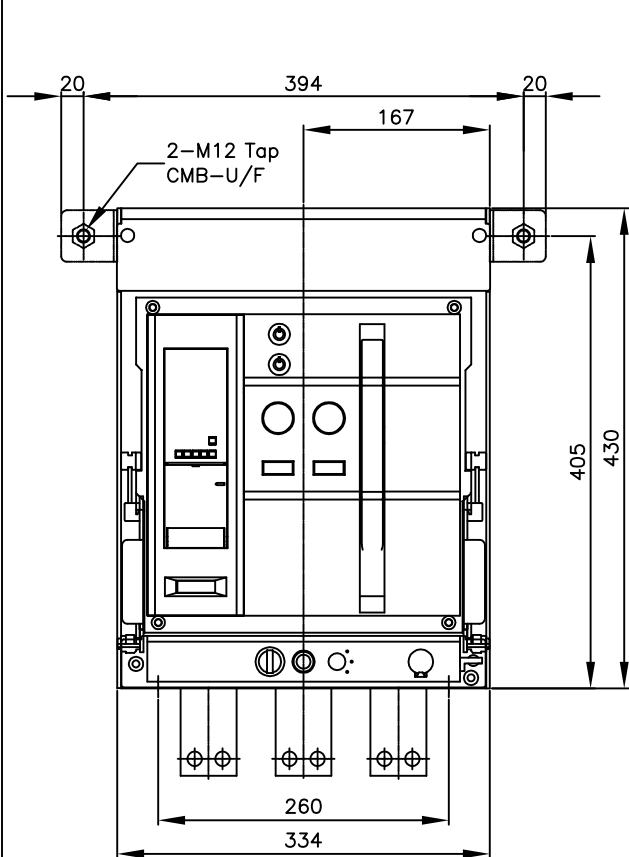


HITACHI AIR CIRCUIT BREAKER

Type		Ampere Frame	Frame size & Phase array	No. of Pole	Rate Current (CT Spec)	Connections
AKH	AKN	630AF	D FRAME TYPE R S T	3P (D)	200A	DRAW-OUT TYPE P : FRONT TYPE (OPTION)
		830AF			400A	
		1000AF			630A	
		1250AF			800A	
		1600AF			1000A	
					1250A	
					1600A	



DWN.	W.SIRAPHAT	06/03/17	PROJECTION	TITLE
CHKD.	<i>C. Kiattisak</i>		SCALE	DIMENSION OF AKH/AKN-06~16-D3
APPD.	<i>Thakirudh</i>		NTS.	
HITACHI Hitachi Industrial Technology(Thailand),Ltd.				HITT WORKS DWG. No.
				4HTN001006
				REV.
				00
				SH.
				01
				01

*REMARK
-DIMENSION UNIT = Millimeter(mm).