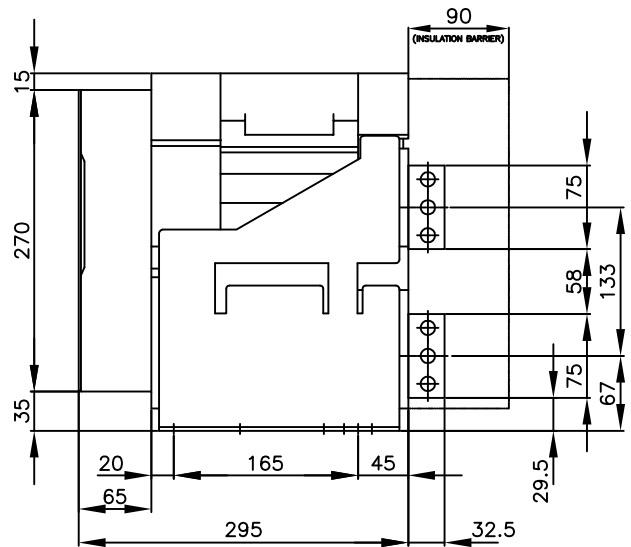
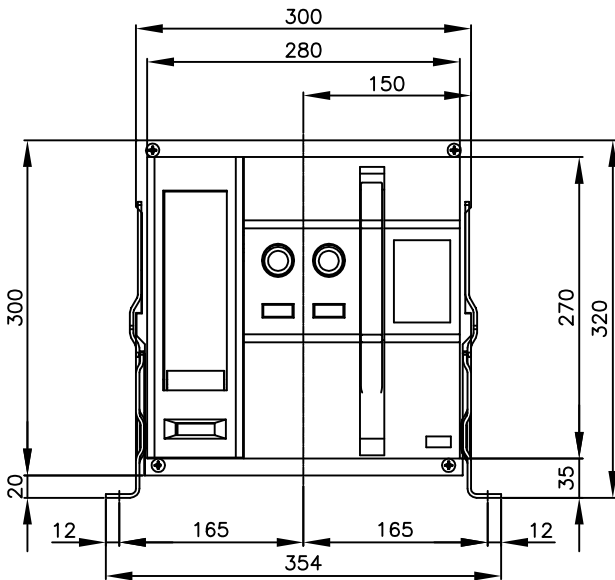
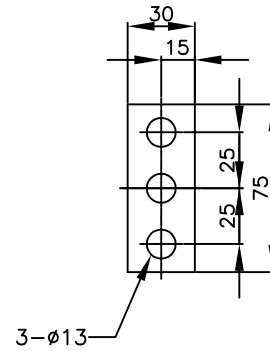
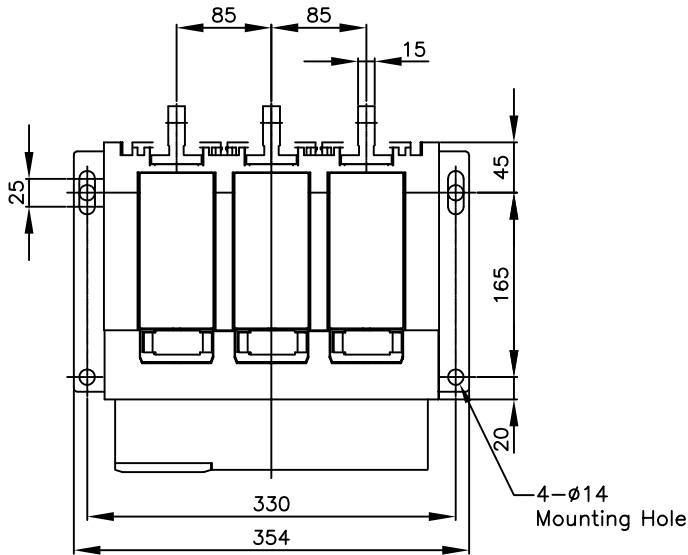


HITACHI AIR CIRCUIT BREAKER

Type		Ampere Frame	Frame size & Phase array	No. of Pole	Rate Current (CT Spec)	Connections
AKH	AKS	2000AF	D FRAME TYPE R S T	3P (D)	2000A	FIXED TYPE V : VERTICAL TYPE (STANDARD)



*REMARK
-DIMENSION UNIT = Millimeter(mm).

DWN.	W.SIRAPHAT	08/03/17	PROJECTION	TITLE
CHKD.	<i>C. Kiattisak</i>			DIMENSION OF AKH/AKS-20-D3
APPD.	<i>Thakjirath</i>		SCALE NTS.	
HITACHI Hitachi Industrial Technology(Thailand),Ltd.				HITT WORKS DWG. No.
				4HTN001008
				REV.
				00
				SH.
				01
				01