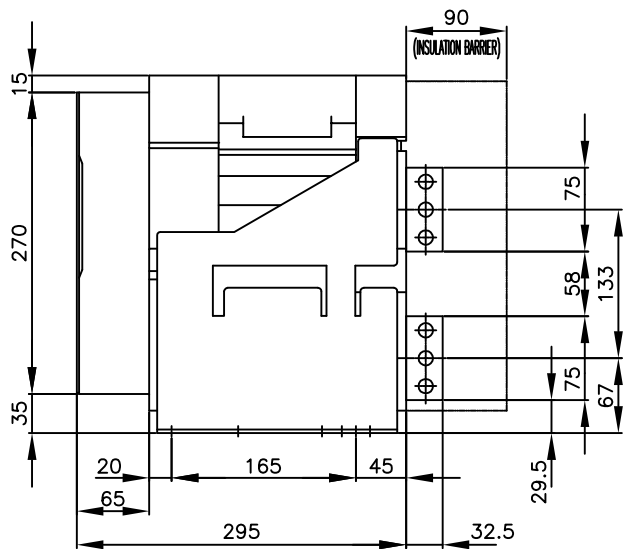
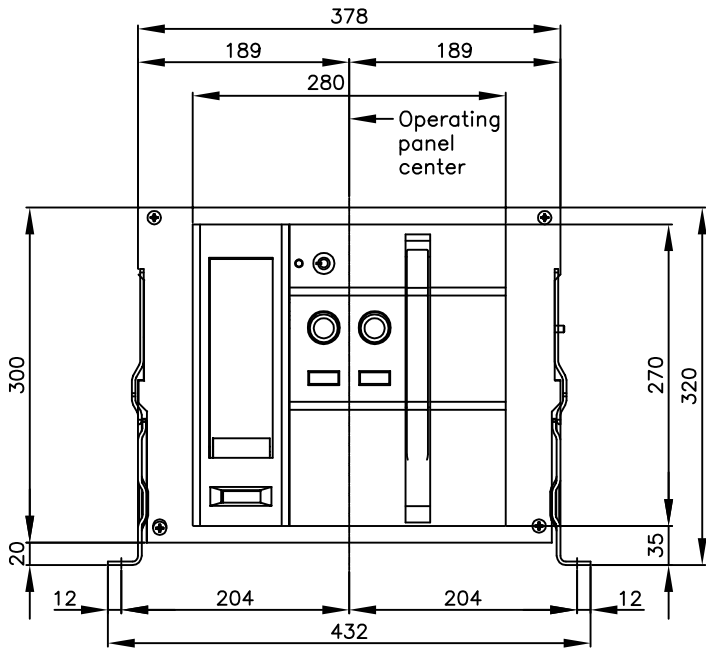
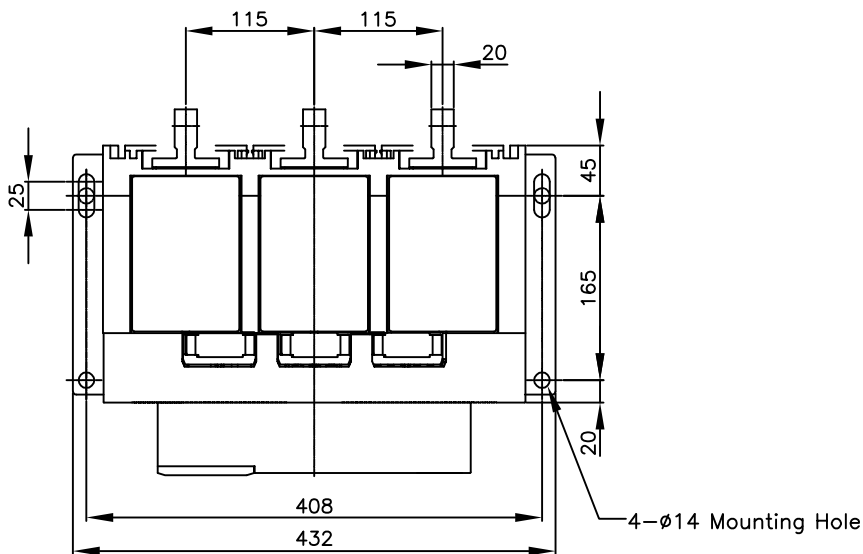


HITACHI AIR CIRCUIT BREAKER

Type		Ampere Frame	Frame size & Phase array	No. of Pole	Rate Current (CT Spec)	Connections
AKH	AKS	2000AF	E FRAME TYPE R S T	3P (E)	630A	FIXED TYPE V : VERTICAL TYPE (OPTION)
		2500AF			800A	
		3200AF			1000A 1250A 1600A 2000A 2500A 3200A	



DWN.	W.SIRAPHAT	09/03/17	PROJECTION	TITLE
CHKD.	<i>C. Kiattisak</i>		SCALE	DIMENSION OF AKH/AKS-20~32-E3
APPD.	<i>Thakirudh</i>		NTS.	
HITACHI Hitachi Industrial Technology(Thailand),Ltd.				HITT WORKS DWG. No.
				4HTN001012
				REV.
				00
				SH.
				01
				01

*REMARK
-DIMENSION UNIT = Millimeter(mm).