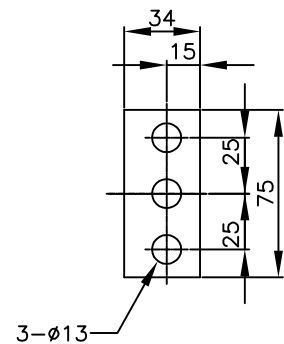
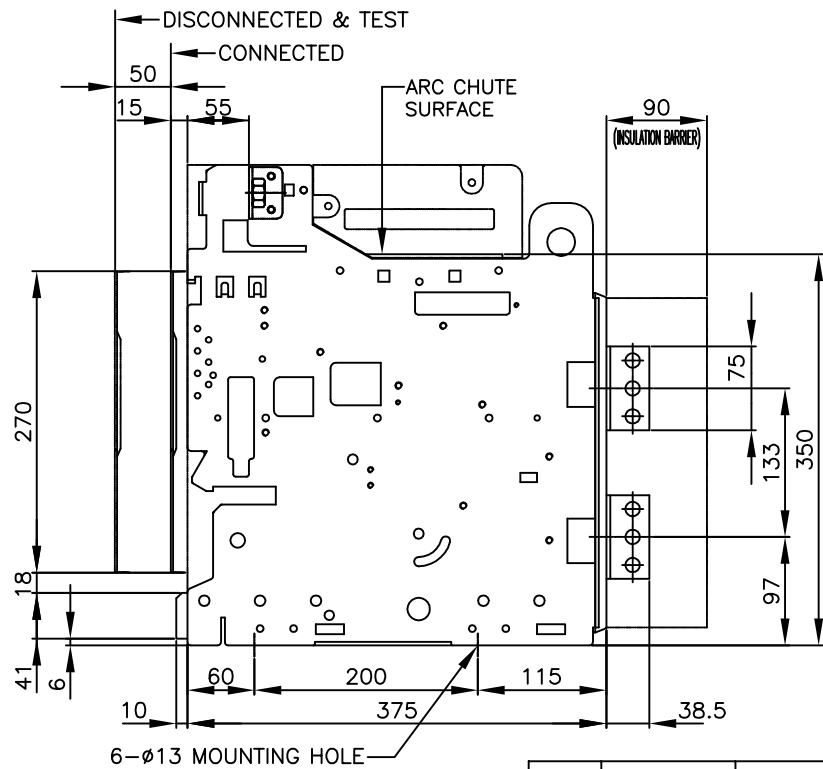
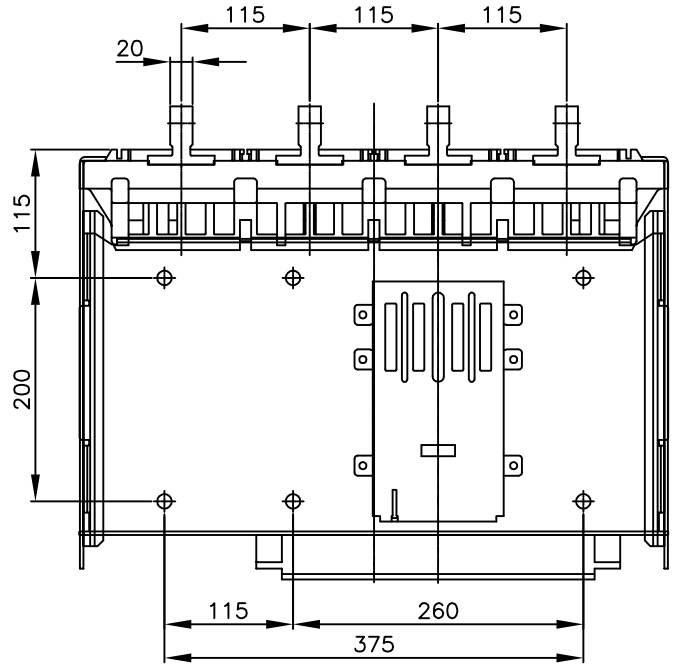
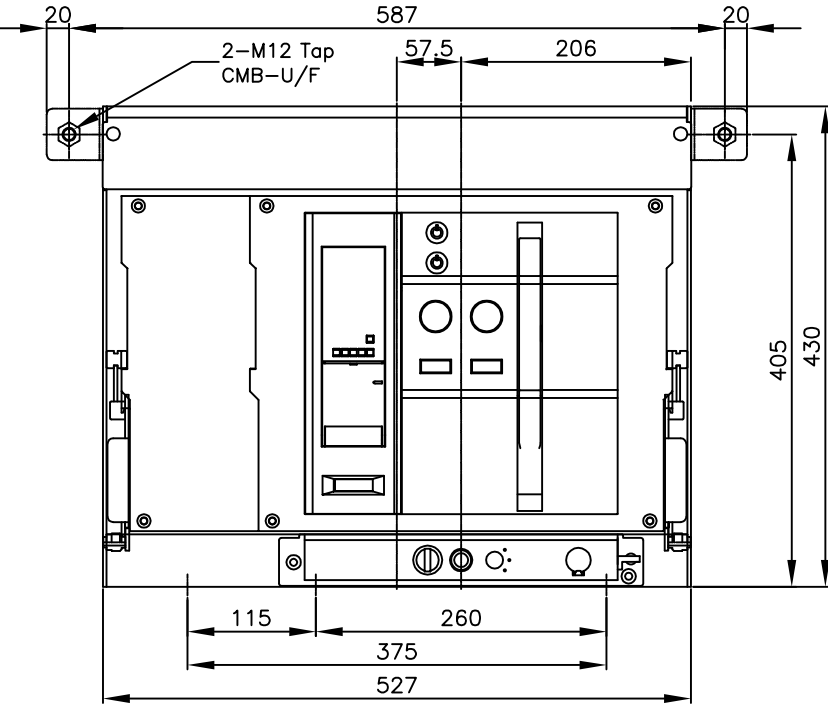


HITACHI AIR CIRCUIT BREAKER

Type		Ampere Frame	Frame size & Phase array	No. of Pole	Rate Current (CT Spec)	Connections
AKH	AKS	2000AF	E FRAME TYPE R S T (N)	4P (E)	630A	DRAW-OUT TYPE V : VERTICAL TYPE (OPTION)
		2500AF			800A	
		3200AF			1000A 1250A 1600A 2000A 2500A 3200A	



DWN. W.SIRAPHAT 09/03/17	PROJECTION	TITLE
CHKD. <i>C. Kiattisak</i>	SCALE NTS.	DIMENSION OF AKH/AKS-20~32-E4
APPD. <i>Thaksubh</i>		HITT WORKS DWG. No.
HITACHI Hitachi Industrial Technology(Thailand),Ltd.		4HTN001019
		REV. 00 SH. 01 01

*REMARK
-DIMENSION UNIT = Millimeter(mm).