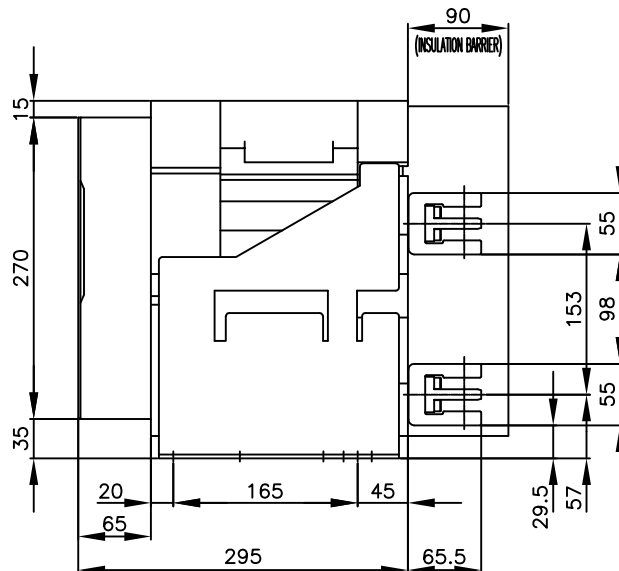
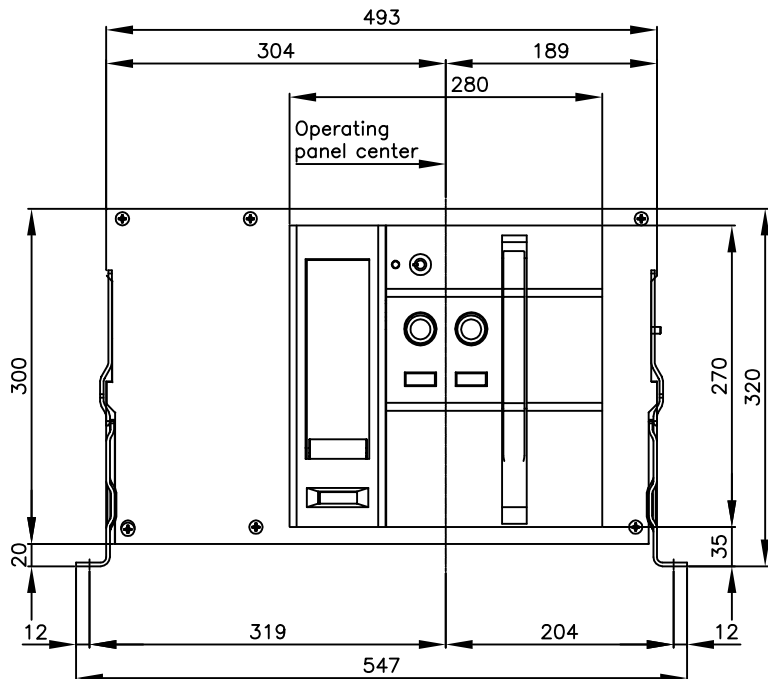
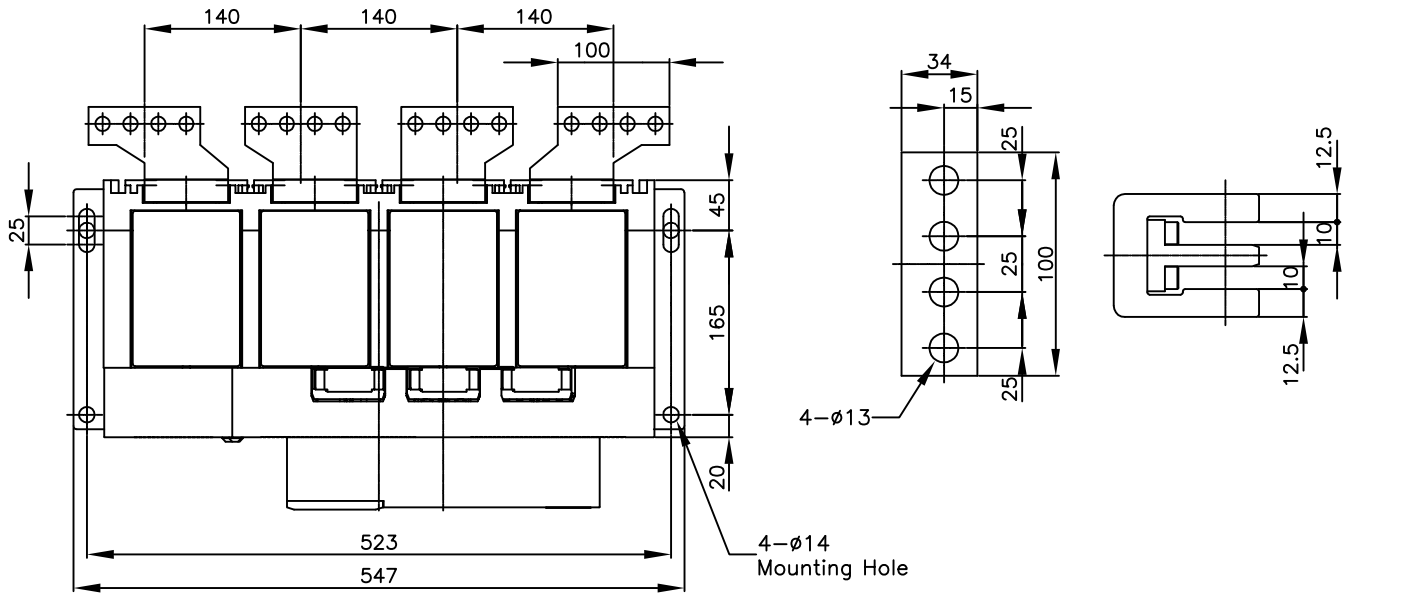


HITACHI AIR CIRCUIT BREAKER

Type		Ampere Frame	Frame size & Phase array	No. of Pole	Rate Current (CT Spec)	Connections
AKH	AKS	4000AF	E FRAME TYPE R S T (N)	4P (E)	4000A	FIXED TYPE H : HORIZONTAL TYPE (OPTION)



DWN.	W.SIRAPHAT	09/03/17	PROJECTION	TITLE
CHKD.	<i>C. Kiattisak</i>		SCALE	DIMENSION OF AKH/AKS-40-E4
APPD.	<i>Thakjirath</i>		NTS.	
HITACHI Hitachi Industrial Technology(Thailand),Ltd.				HITT WORKS DWG. No.
				4HTN001023
				REV.
				00
				SH.
				01
				01

*REMARK
 -DIMENSION UNIT = Millimeter(mm).