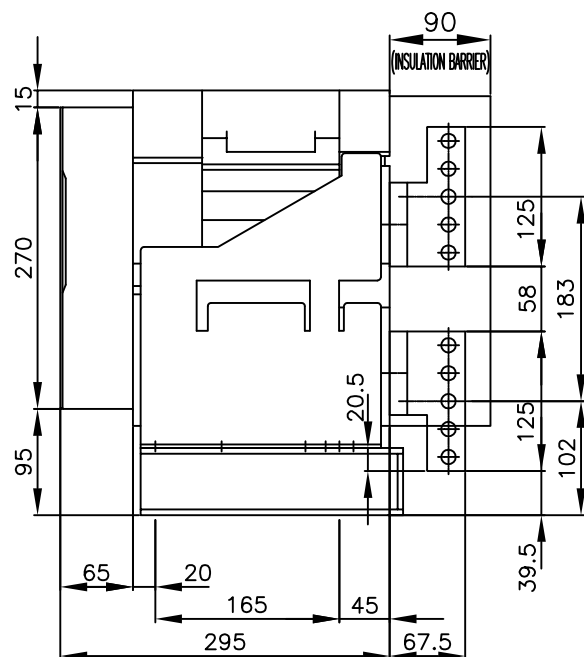
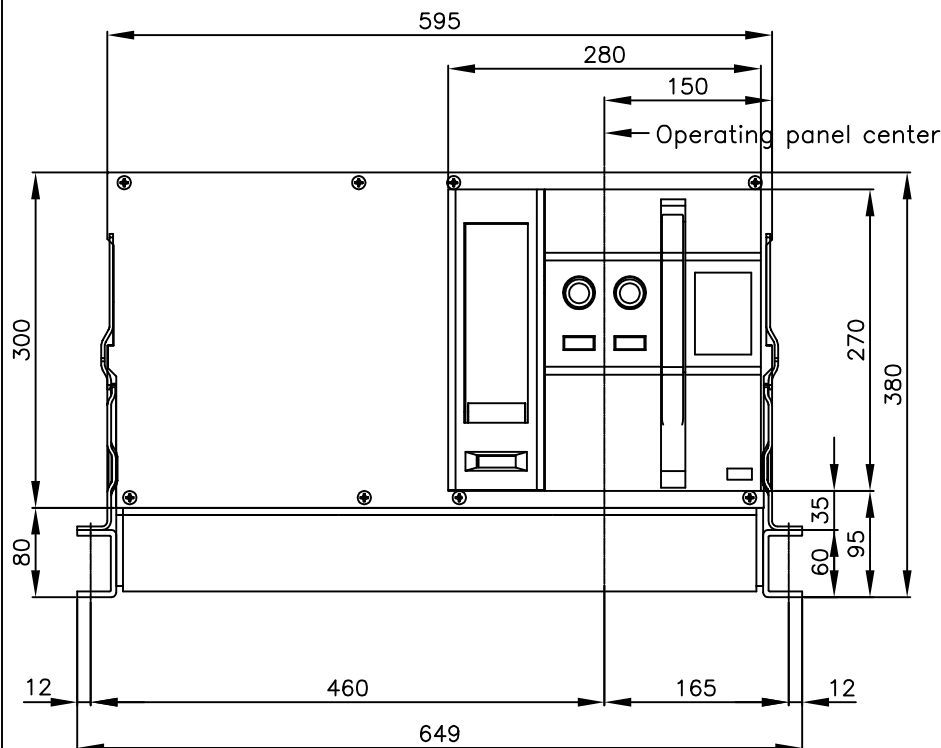
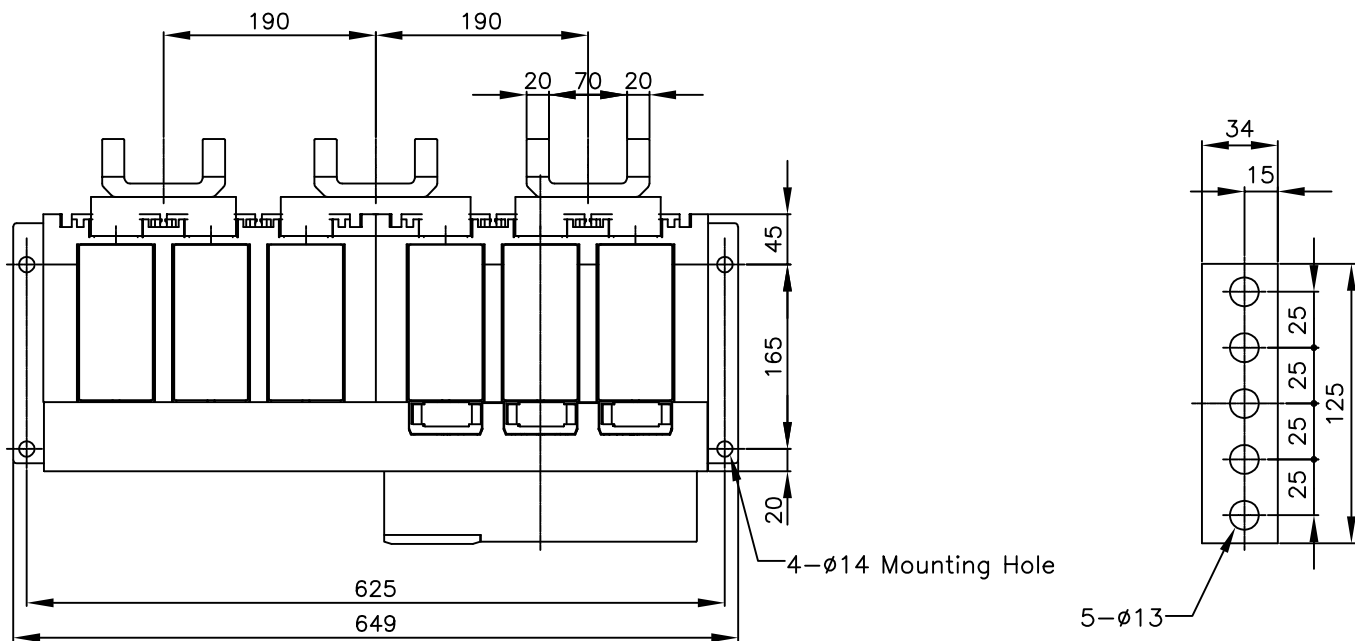


HITACHI AIR CIRCUIT BREAKER

Type	Ampere Frame	Frame size & Phase array	No. of Pole	Rate Current (CT Spec)	Connections
AKS	4000AF	F FRAME TYPE R S T	3P (F)	4000A	FIXED TYPE V : VERTICAL TYPE (STANDARD)
	5000AF			5000A	



DWN.	W.SIRAPHAT	14/03/17	PROJECTION	TITLE
CHKD.	<i>C. Kiattisak</i>			DIMENSION OF AKS-40~50-F3
APPD.	<i>Thakirach</i>		SCALE NTS.	
HITACHI Hitachi Industrial Technology(Thailand),Ltd.				HITT WORKS DWG. No.
				4HTN001031
				REV.
				00
				SH.
				01
				01

*REMARK
-DIMENSION UNIT = Millimeter(mm).