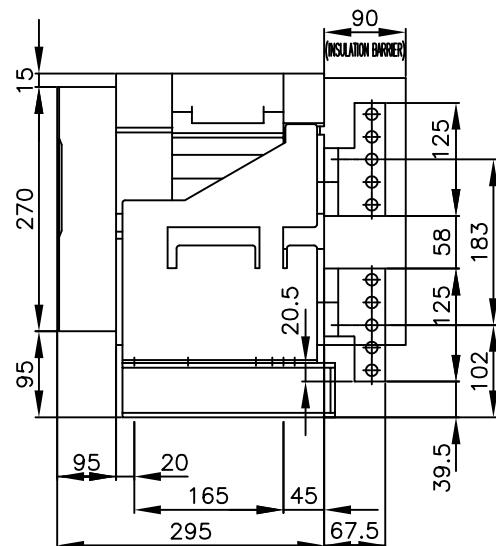
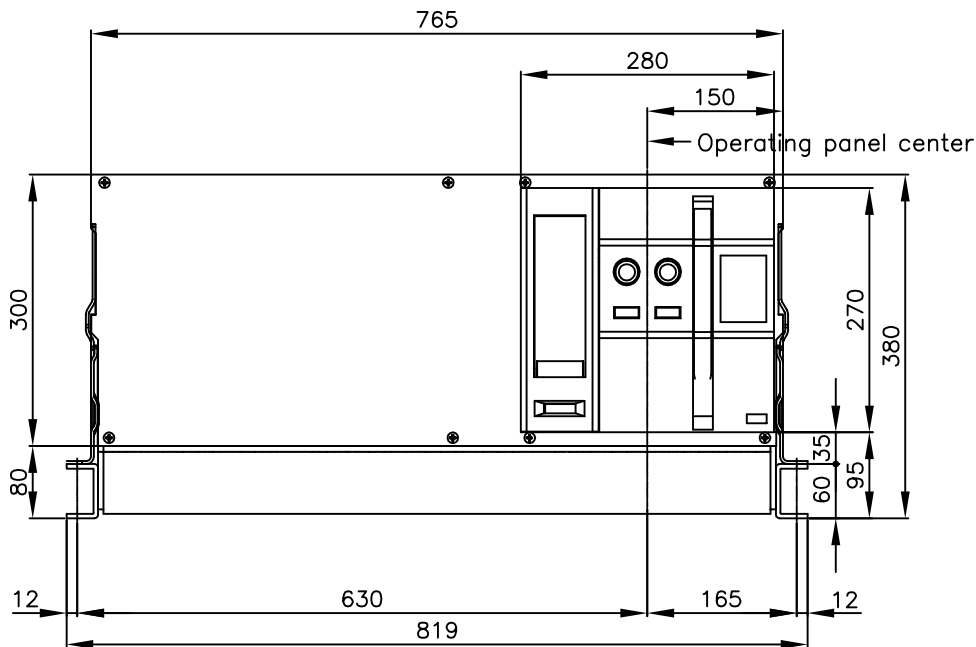
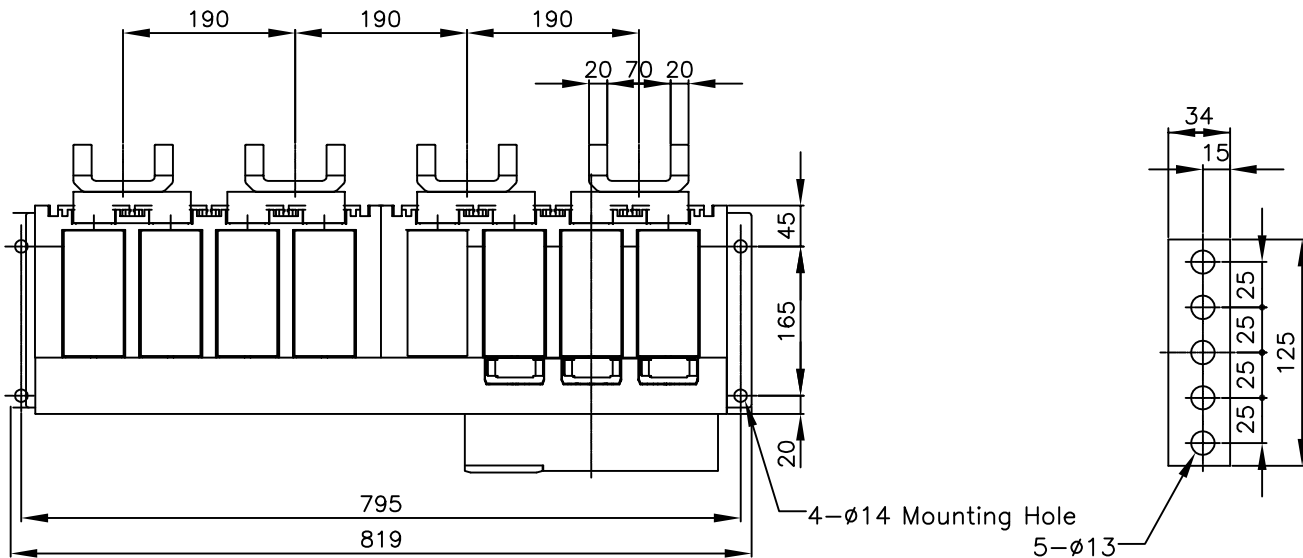


# HITACHI AIR CIRCUIT BREAKER

Type	Ampere Frame	Frame size & Phase array	No. of Pole	Rate Current (CT Spec)	Connections
AKS	4000AF	F FRAME TYPE R S T (N)	4P (F)	4000A	FIXED TYPE V : VERTICAL TYPE (STANDARD)
	5000AF			5000A	



DWN.	W.SIRAPHAT	14/03/17	PROJECTION	TITLE
CHKD.	<i>C. Kiattisak</i>		SCALE	DIMENSION OF AKS-40~50-F4
APPD.	<i>Thakjirath</i>		NTS.	
<b>HITACHI</b> Hitachi Industrial Technology(Thailand),Ltd.				HITT WORKS DWG. No.
				4HTN001033
				REV.
				00
				SH.
				01
				01

\*REMARK  
-DIMENSION UNIT = Millimeter(mm).