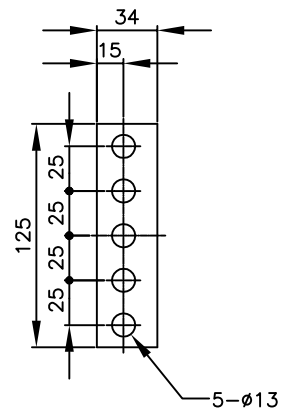
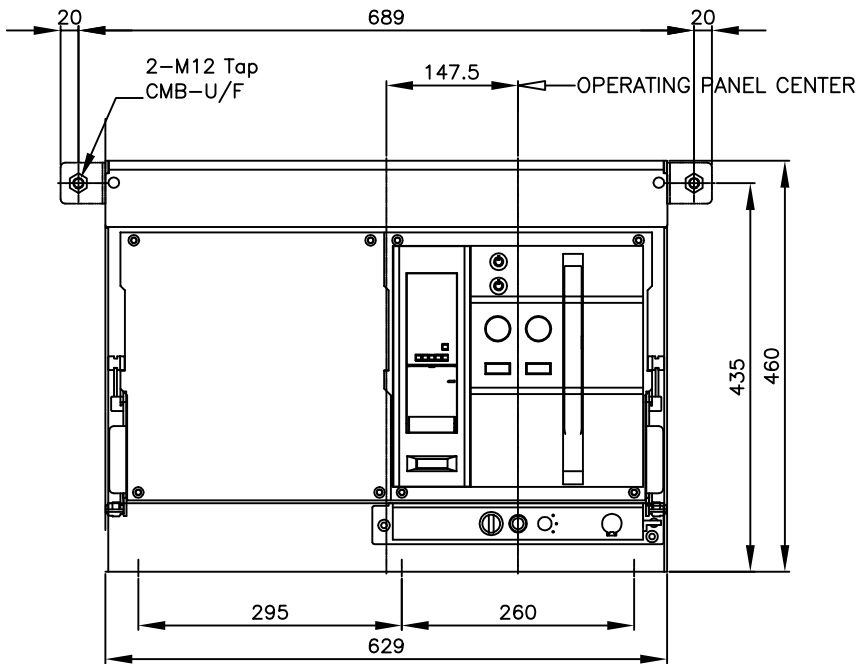
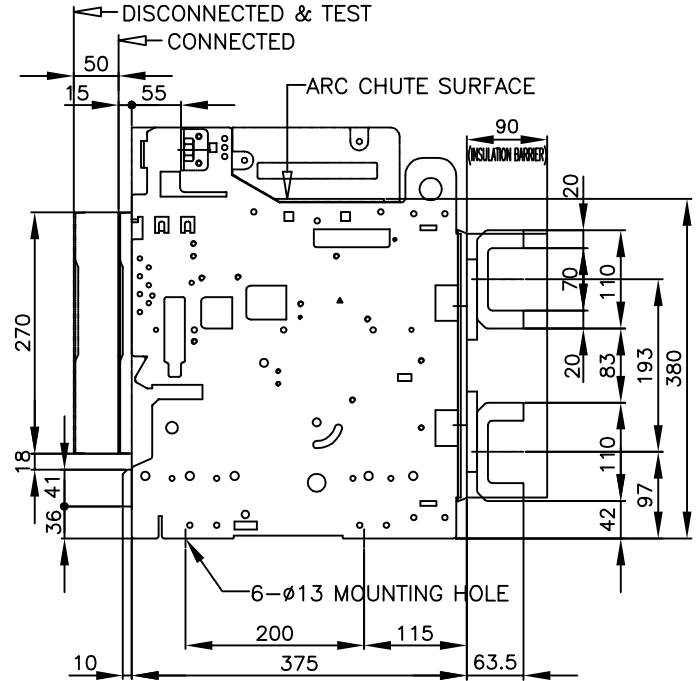
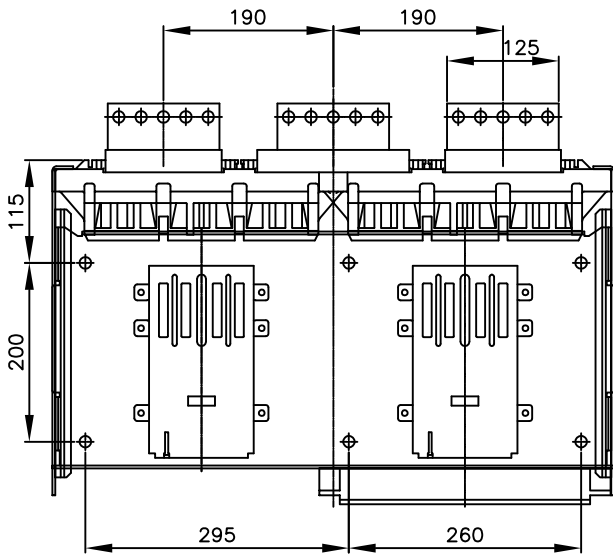


HITACHI AIR CIRCUIT BREAKER

Type	Ampere Frame	Frame size & Phase array	No. of Pole	Rate Current (CT Spec)	Connections
AKS	4000AF	F FRAME TYPE R S T	3P (F)	4000A	DRAW-OUT TYPE H : HORIZONTAL TYPE (OPTION)
	5000AF			5000A	



DWN.	W.SIRAPHAT	14/03/17	PROJECTION	TITLE
CHKD.	<i>J. Jirapattana</i>	<i>S</i>		DIMENSION OF AKS-40~50-F3
APPD.	<i>P. Krittisak</i>		SCALE	
	<i>T. Holiguch</i>		NTS.	
HITACHI Hitachi Industrial Technology(Thailand),Ltd.				HITT WORKS DWG. No.
				4HTN001036
				REV.
				00
				SH.
				01
				01

*REMARK
-DIMENSION UNIT = Millimeter(mm).