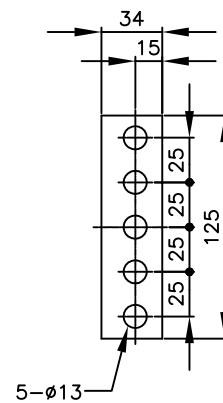
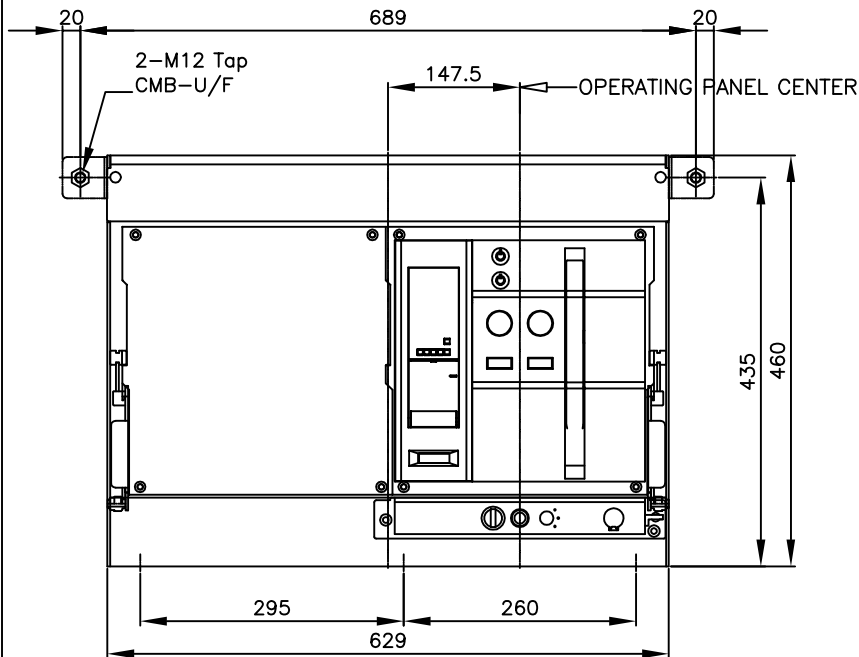
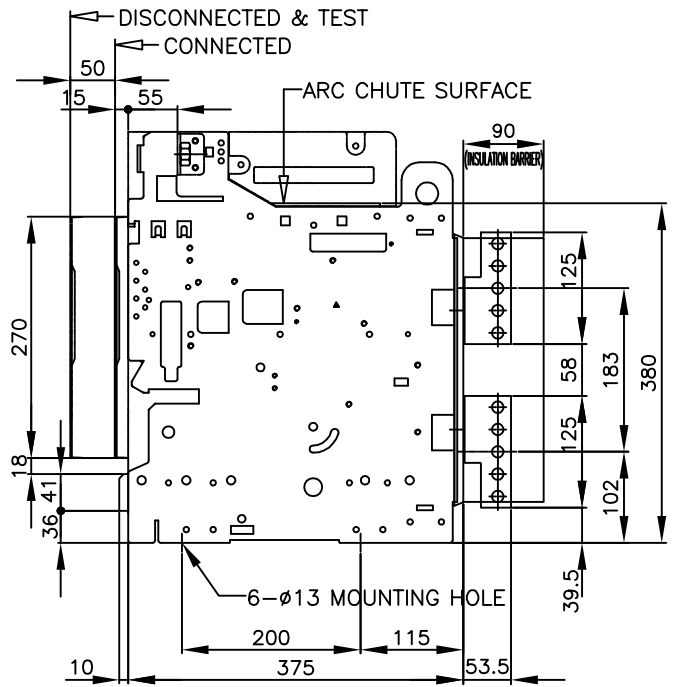
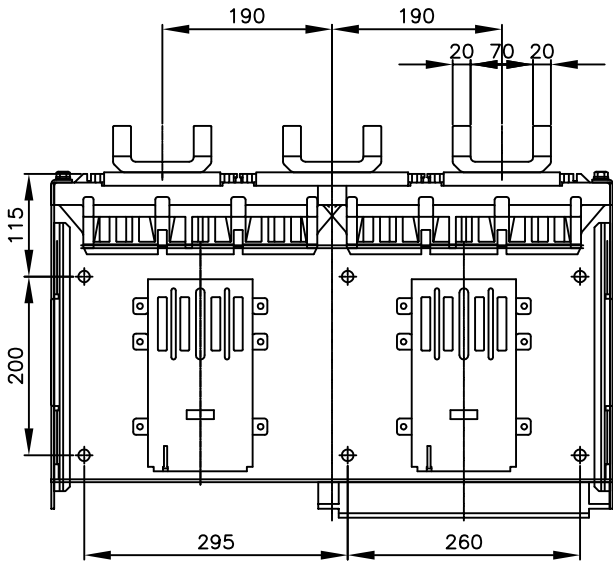


HITACHI AIR CIRCUIT BREAKER

Type	Ampere Frame	Frame size & Phase array	No. of Pole	Rate Current (CT Spec)	Connections
AKS	4000AF	F FRAME TYPE R S T	3P (F)	4000A	DRAW-OUT TYPE V : VERTICAL TYPE (STANDARD)
	5000AF			5000A	



*REMARK
-DIMENSION UNIT = Millimeter(mm).

DWN.	W.SIRAPHAT	14/03/17	PROJECTION	TITLE
CHKD.	<i>J. Jambel</i>	<i>S</i>	SCALE NTS.	DIMENSION OF AKS-40~50-F3
APPD.	<i>P. Kiatkitchak</i>			
HITACHI Hitachi Industrial Technology(Thailand),Ltd.				HITT WORKS DWG. No.
				4HTN001037
				REV.
				00
				SH.
				01
				01