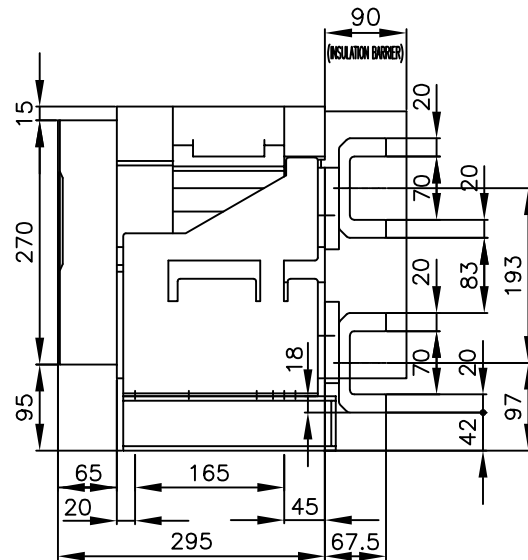
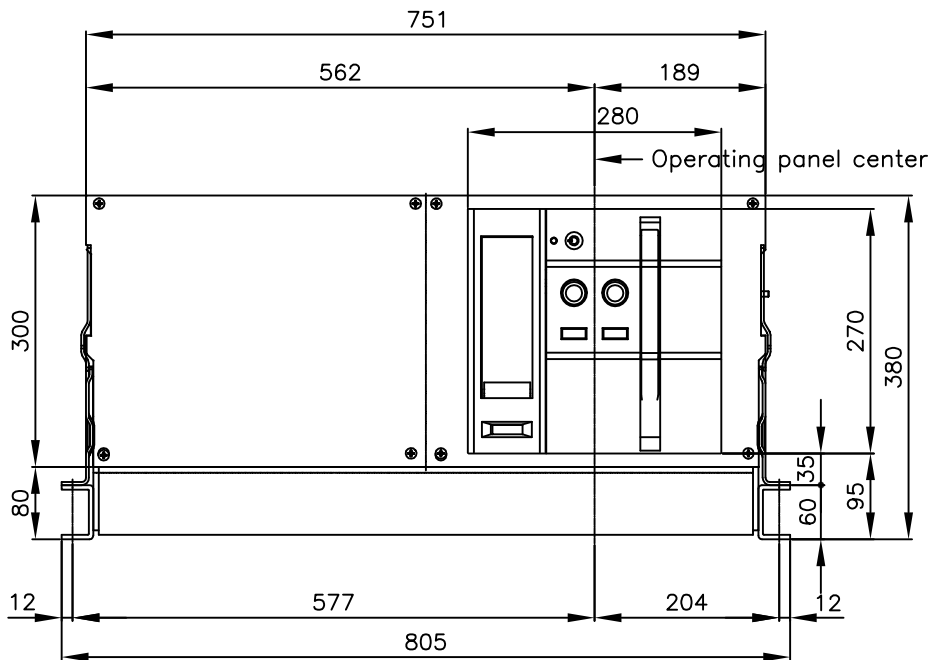
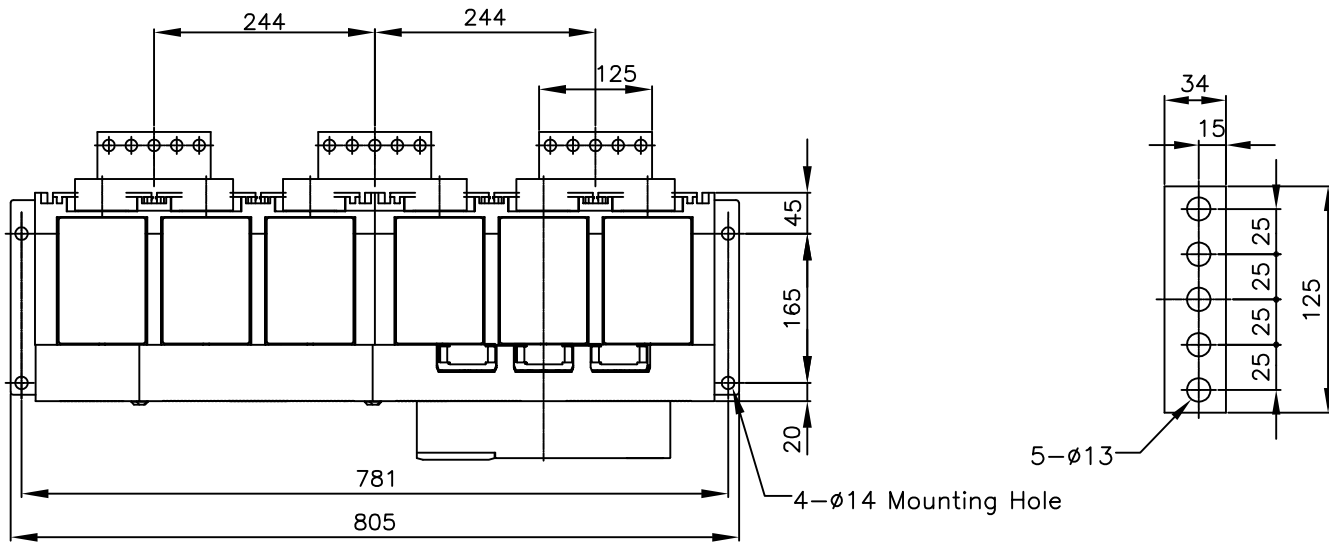


# HITACHI AIR CIRCUIT BREAKER

Type		Ampere Frame	Frame size & Phase array	No. of Pole	Rate Current (CT Spec)	Connections
AKS	AKH	4000AF	G FRAME TYPE R S T	3P (G)	4000A	FIXED TYPE H : HORIZONTAL TYPE (OPTION)
		5000AF			5000A	



DWN.	W.SIRAPHAT	14/03/17	PROJECTION	TITLE	
CHKD.	<i>J. Jiradee</i>	S		DIMENSION OF AKS/AKH-40~50-G3	
APPD.	<i>P. Kiatkarak</i>				SCALE
	<i>T. Hokiguchi</i>				NTS.
<b>HITACHI</b>				HITT WORKS DWG. No.	
Hitachi Industrial Technology(Thailand),Ltd.				4HTN001038	
				REV.	
				00	
				SH.	
				01	
				01	

\*REMARK  
-DIMENSION UNIT = Millimeter(mm).