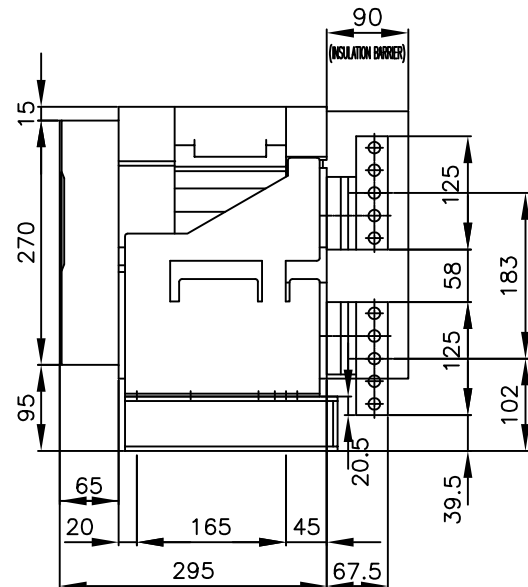
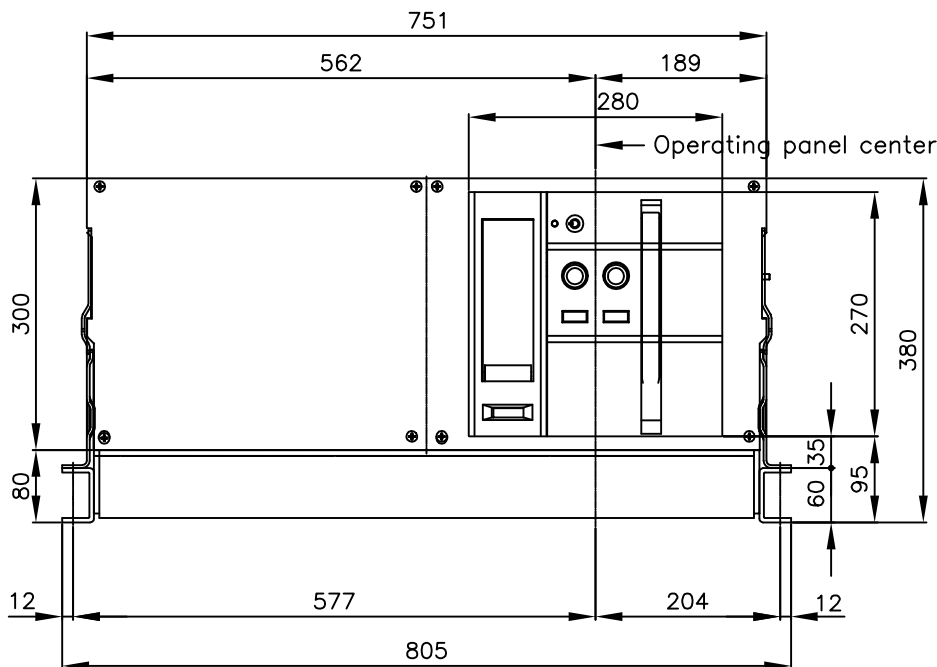
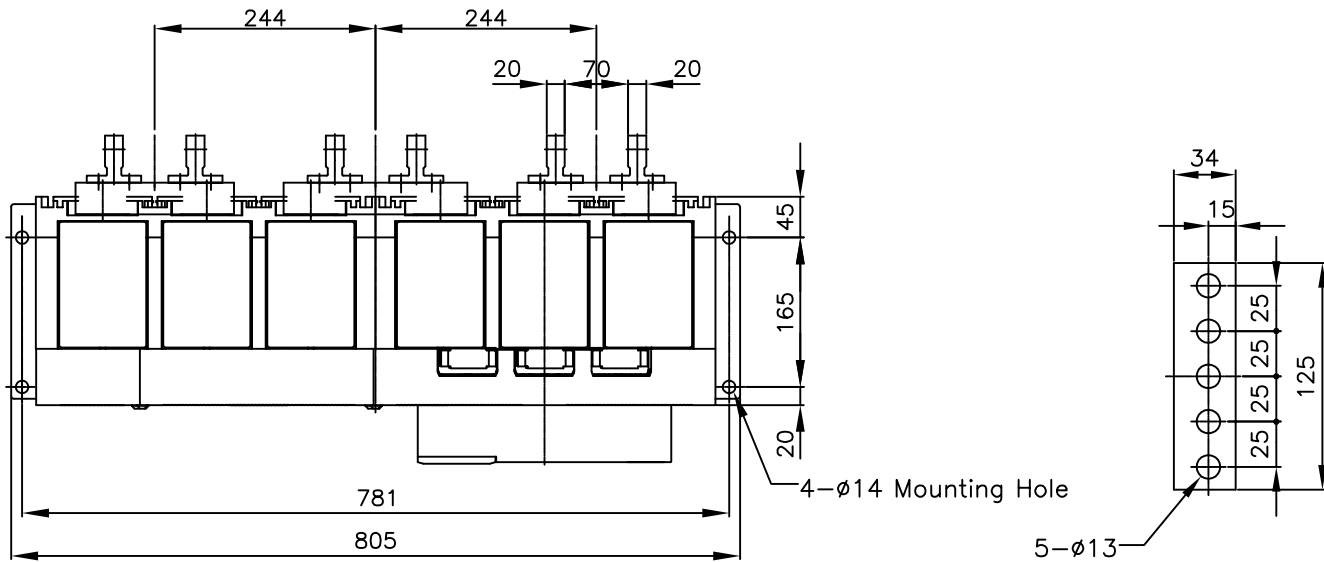


# HITACHI AIR CIRCUIT BREAKER

Type		Ampere Frame	Frame size & Phase array	No. of Pole	Rate Current (CT Spec)	Connections
AKS	AKH	4000AF	G FRAME TYPE R S T	3P (G)	4000A	FIXED TYPE V : VERTICAL TYPE (STANDARD)
		5000AF			5000A	



DWN.	W.SIRAPHAT	14/03/17	PROJECTION	TITLE
CHKD.	<i>J. Jirapattana</i>			DIMENSION OF AKS/AKH-40~50-G3
APPD.	<i>C. Wattisak</i>		SCALE NTS.	
<b>HITACHI</b> Hitachi Industrial Technology(Thailand),Ltd.				HITT WORKS DWG. No.
				4HTN001040
				REV.
				00
				SH.
				01
				01

\*REMARK  
-DIMENSION UNIT = Millimeter(mm).