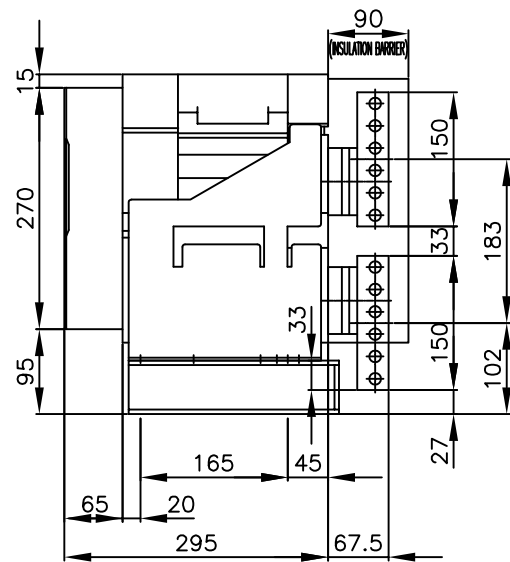
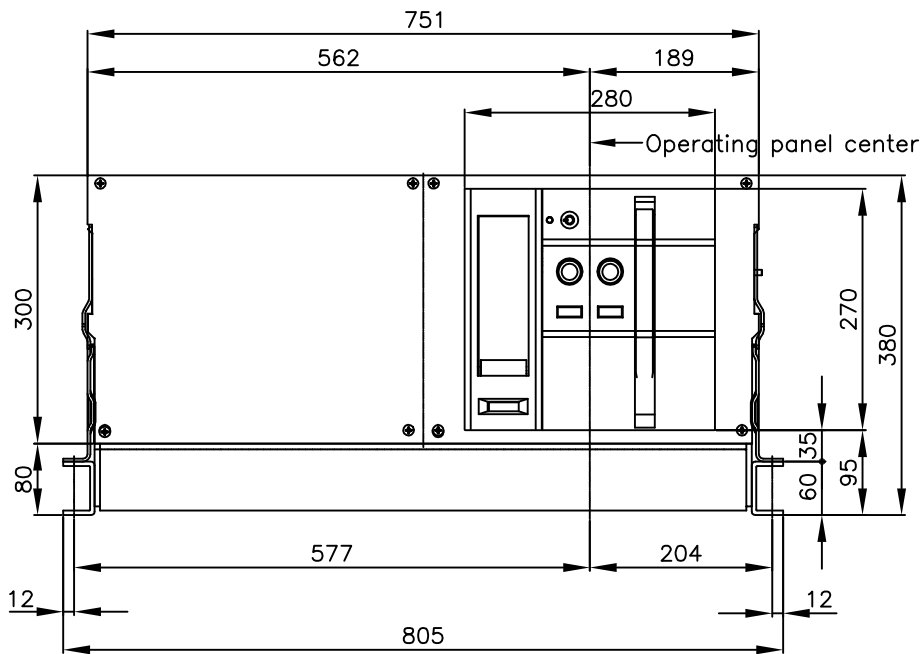
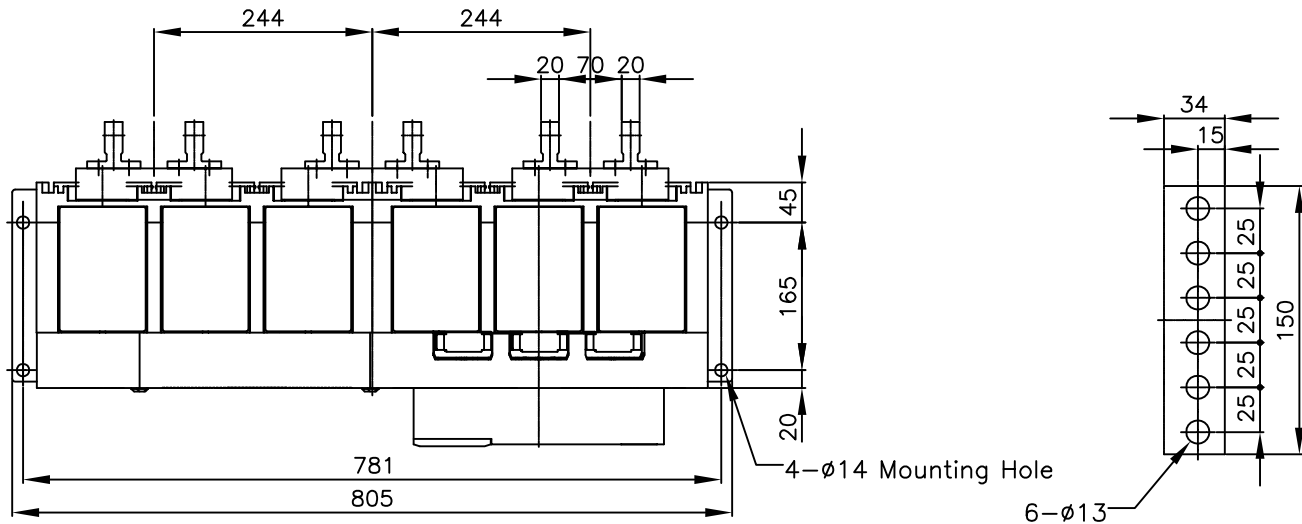


HITACHI AIR CIRCUIT BREAKER

Type		Ampere Frame	Frame size & Phase array	No. of Pole	Rate Current (CT Spec)	Connections
AKS	AKH	6300AF	G FRAME TYPE R S T	3P (G)	6300A	FIXED TYPE V : VERTICAL TYPE (STANDARD)



DWN.	W.SIRAPHAT	14/03/17	PROJECTION	TITLE
CHKD.	<i>J. Jiravee</i>	S	SCALE NTS.	DIMENSION OF AKS/AKH-63-G3
APPD.	<i>C. Kiattrak</i>			
	<i>Hokiguch</i>			
HITACHI Hitachi Industrial Technology(Thailand),Ltd.				HITT WORKS DWG. No.
				4HTN001043
				REV.
				00
				SH.
				01
				01

*REMARK
-DIMENSION UNIT = Millimeter(mm).