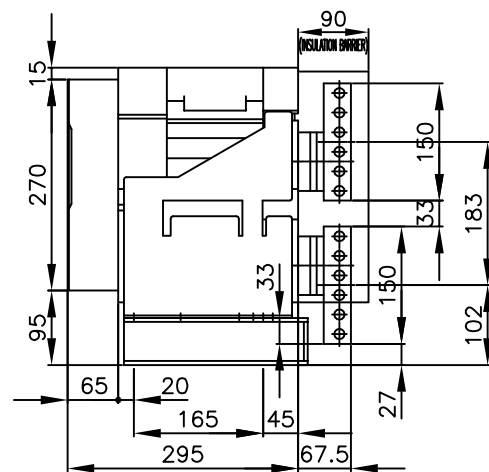
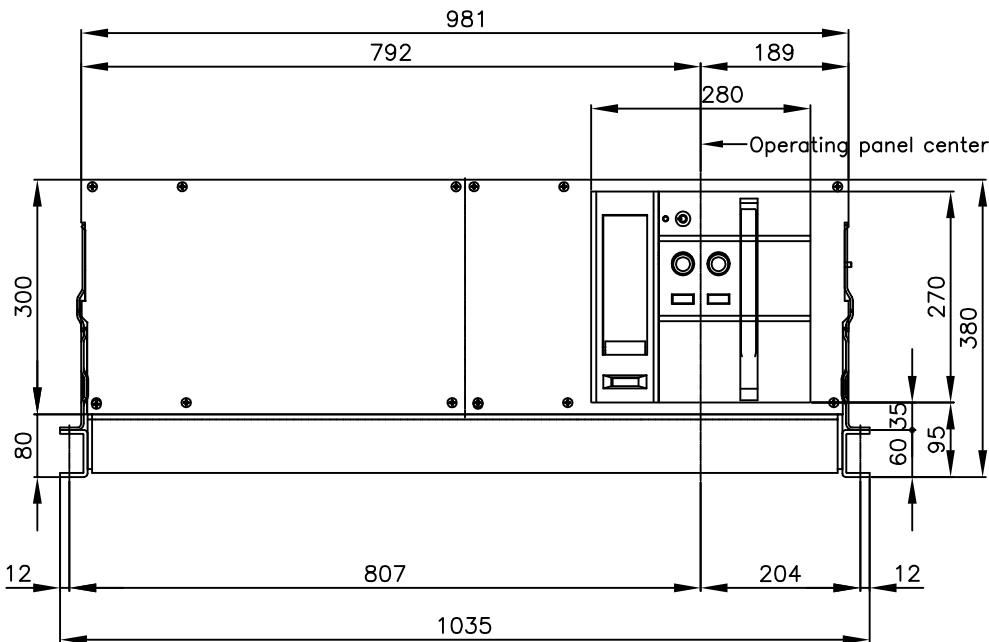
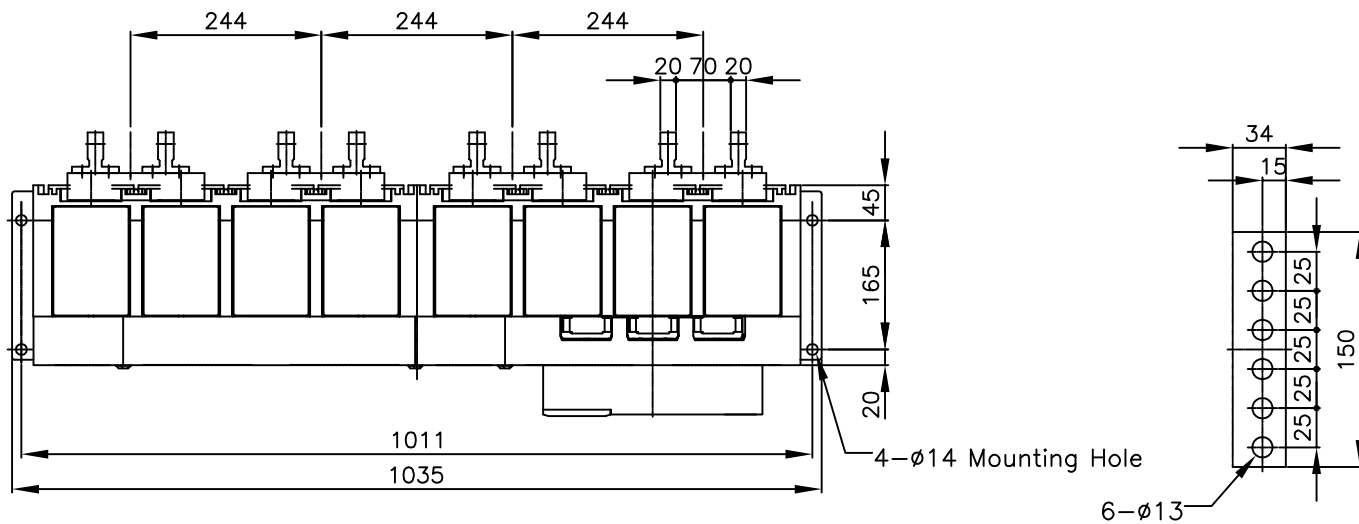


HITACHI AIR CIRCUIT BREAKER

Type		Ampere Frame	Frame size & Phase array	No. of Pole	Rate Current (CT Spec)	Connections
AKS	AKH	6300AF	G FRAME TYPE R S T (N)	4P (G)	6300A	FIXED TYPE V : VERTICAL TYPE (STANDARD)



DWN.	W.SIRAPHAT	14/03/17	PROJECTION	TITLE
CHKD.	<i>J. Jiravee</i>	S		DIMENSION OF AKS/AKH-63-G4
APPD.	<i>P. Kiatkarak</i>		SCALE	
	<i>Tokiguchi</i>		NTS.	
HITACHI Hitachi Industrial Technology(Thailand),Ltd.				HITT WORKS DWG. No.
				4HTN001045
				REV.
				00
				SH.
				01
				01

*REMARK
-DIMENSION UNIT = Millimeter(mm).