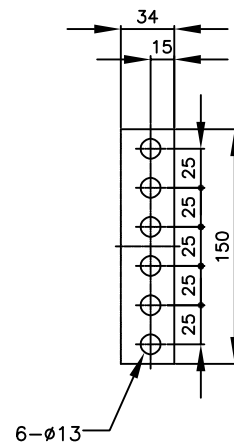
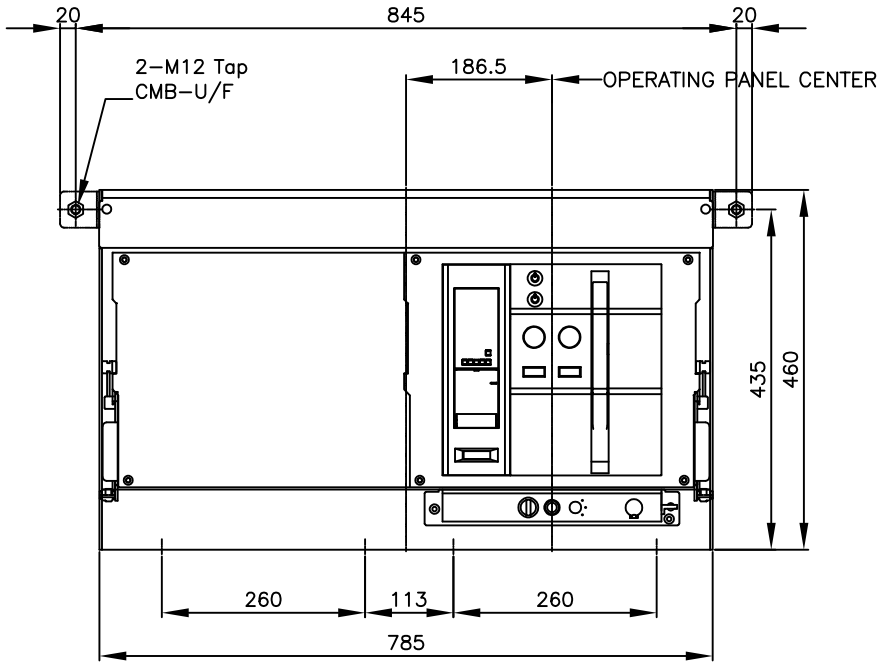
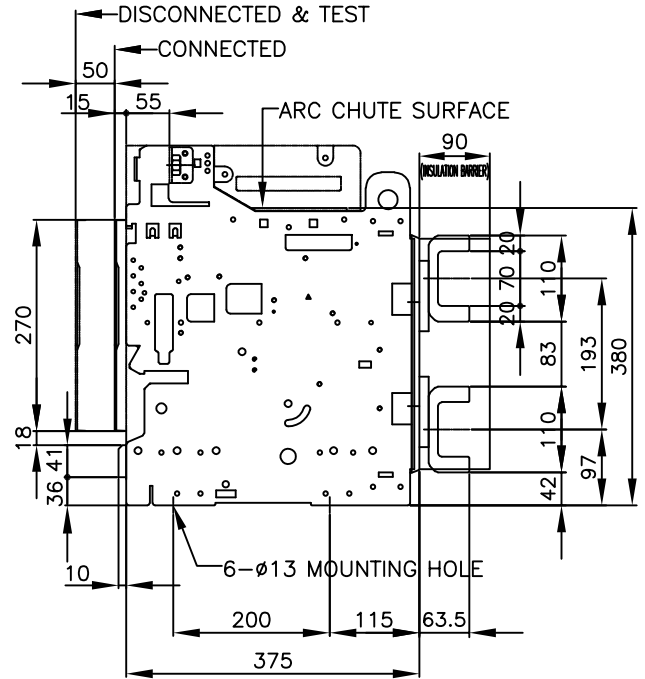
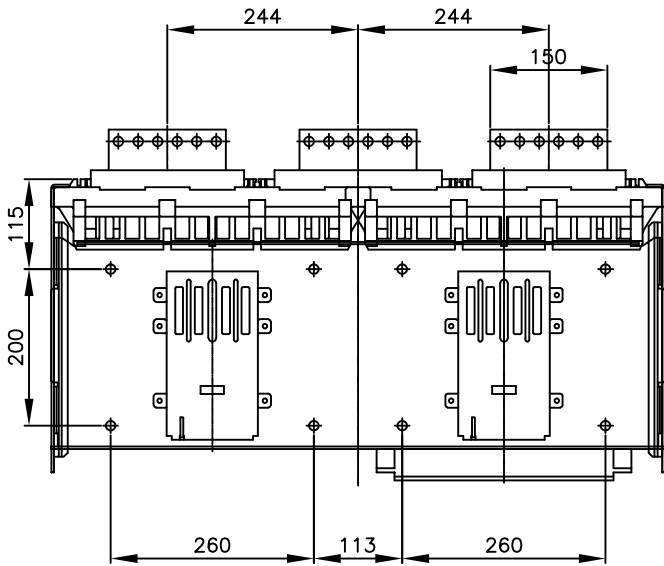


HITACHI AIR CIRCUIT BREAKER

Type		Ampere Frame	Frame size & Phase array	No. of Pole	Rate Current (CT Spec)	Connections
AKS	AKH	6300AF	G FRAME TYPE R S T	3P (G)	6300A	DRAW-OUT TYPE H : HORIZONTAL TYPE (OPTION)



DWN.	W.SIRAPHAT	15/03/17	PROJECTION	TITLE
CHKD.	J. Jantee		SCALE	DIMENSION OF AKS/AKH-63-G3
APPD.	P. Kiatthasak		NTS.	
HITACHI Hitachi Industrial Technology(Thailand),Ltd.				HITT WORKS DWG. No.
				4HTN001065
				REV.
				00
				SH.
				01
				01

*REMARK
-DIMENSION UNIT = Millimeter(mm).