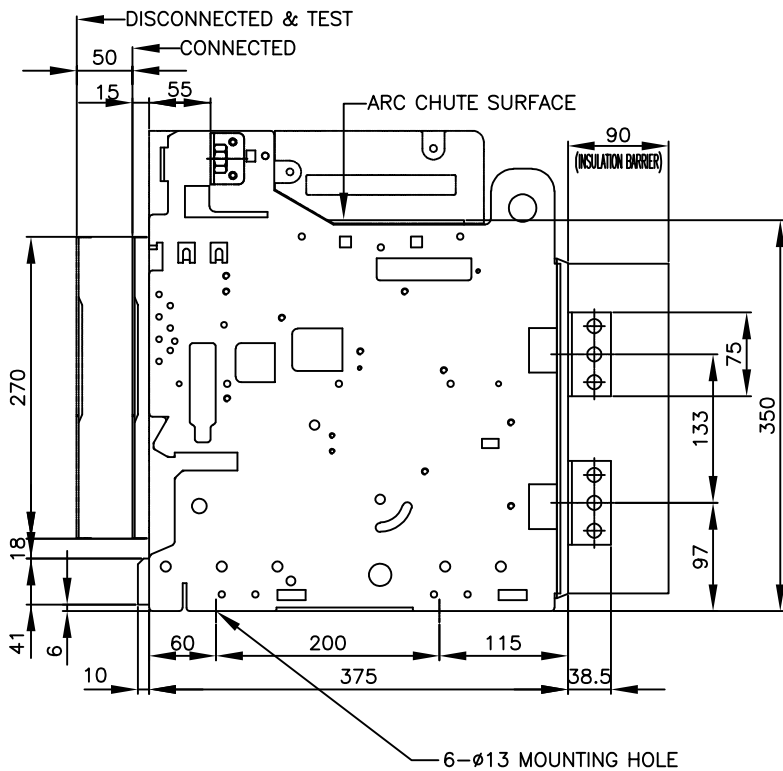
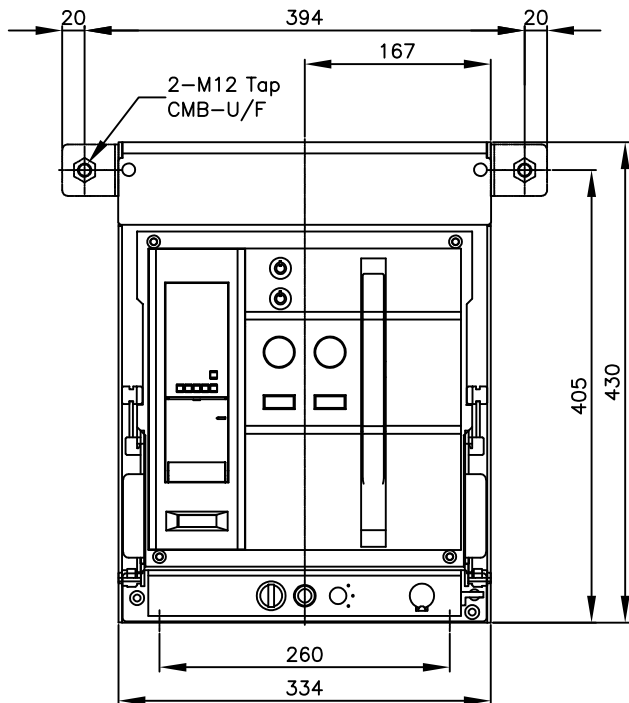
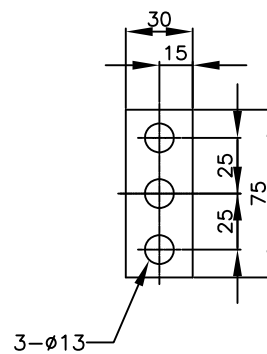
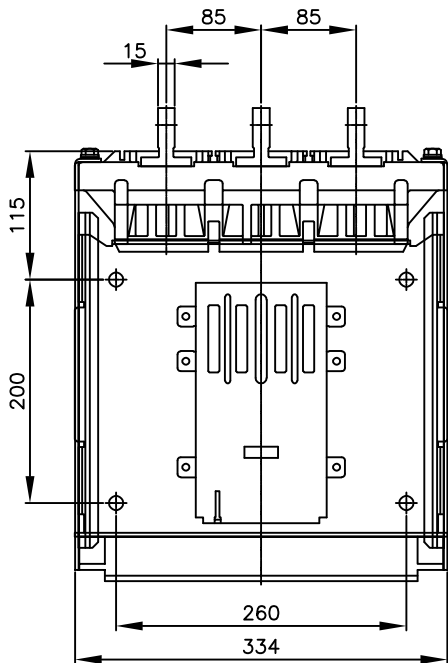


HITACHI AIR CIRCUIT BREAKER

Type		Ampere Frame	Frame size & Phase array	No. of Pole	Rate Current (CT Spec)	Connections
AKH	AKS	2000AF	D FRAME TYPE R S T	3P (D)	2000A	DRAW-OUT TYPE V : VERTICAL TYPE (STANDARD)



*REMARK
-DIMENSION UNIT = Millimeter(mm).

DWN.	W.SIRAPHAT	23/03/17	PROJECTION	TITLE	
CHKD.	J. Jambae	S		DIMENSION OF AKH/AKS-20-D3	
APPD.	P. Krattisak				SCALE
	T. Hokiguchi				NTS.
HITACHI Hitachi Industrial Technology(Thailand),Ltd.				HITT WORKS DWG. No. 4HTN001068	
				REV. 00 SH. 01 01	