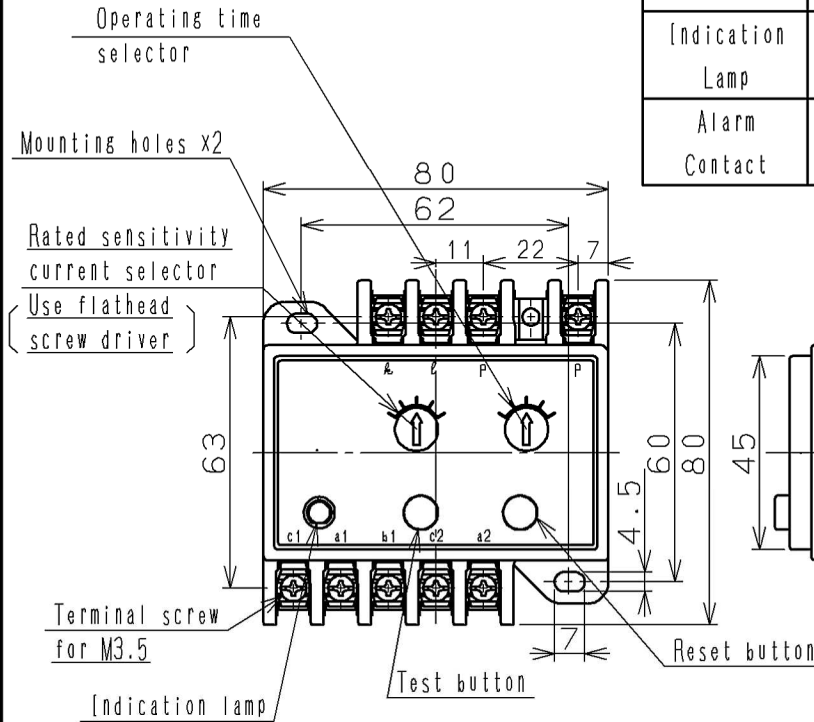
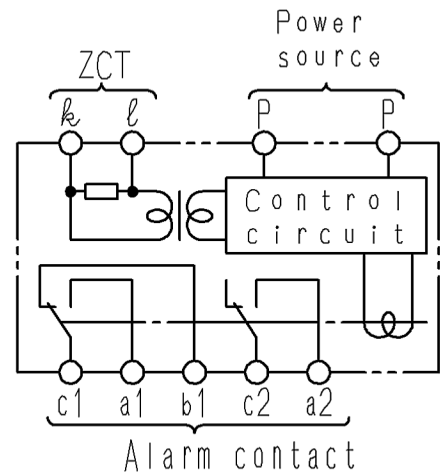
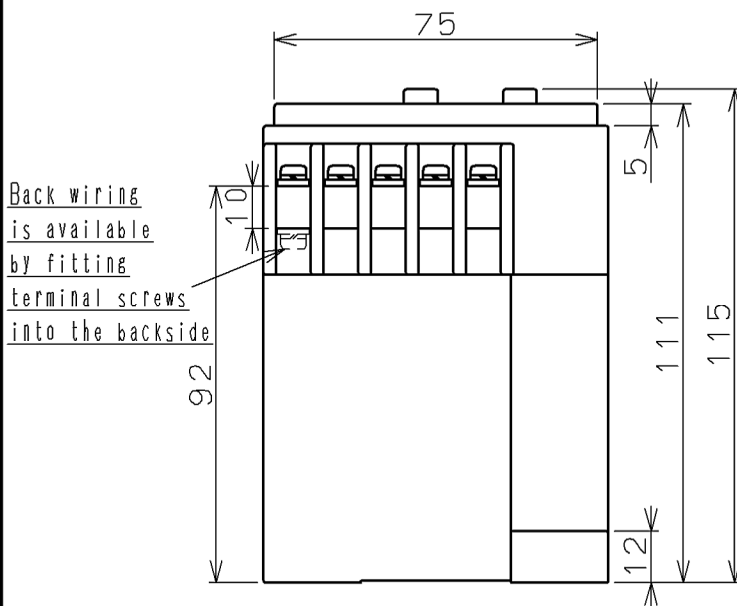
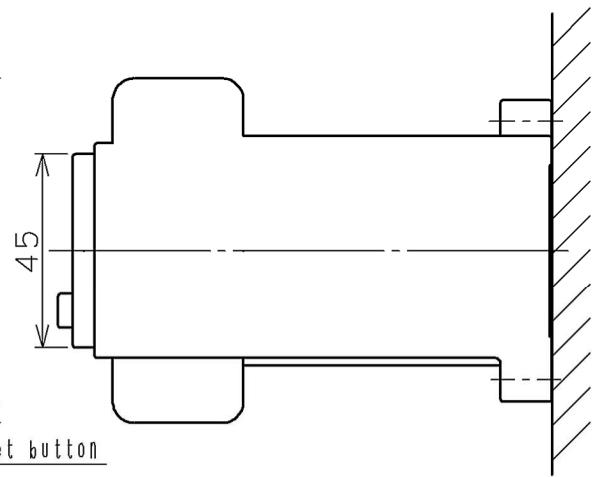


R-NZGT EARTH-LEAKAGE RELAY (TIME DELAY TYPE)

Rated Voltage (AC.V)	Frequency (Hz)	Rated sensitivity Current (mA)	Operating time (S)	Alarm Contact	Base Amb. Temp. (°C)	Weight (kg)
100-440	50·60	100·200·500 1000·2000	0.3 (0.2·0.5·1) 2·4	1c+1a	40	0.25



	Latching system	Reset operation
Indication Lamp	Electrical Latch	Push the reset button or turn off a power source
Alarm Contact	Electrical Latch	Push the reset button or turn off a power source



Connecting Diagram

CUSTOMER			DWN.	<i>H. Miyajima</i>	Nov-30-2012		TITLE	R-NZGT DIMENSION	REV.	00
			CHKD.	<i>D. Nakamura</i>	Nov-30-2012					
QUANTITY	ORDER NO.	WORK NO.	APPD.	<i>H. Aikawa</i>	Nov-30-2012		NAKAJO WORKS DWG. NO.		325 43069278	
Hitachi Industrial Equipment Systems Co., Ltd.										