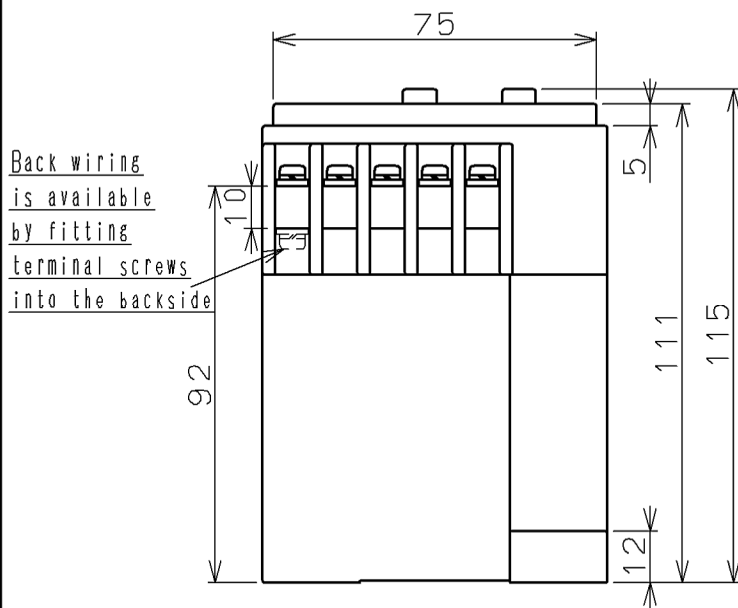
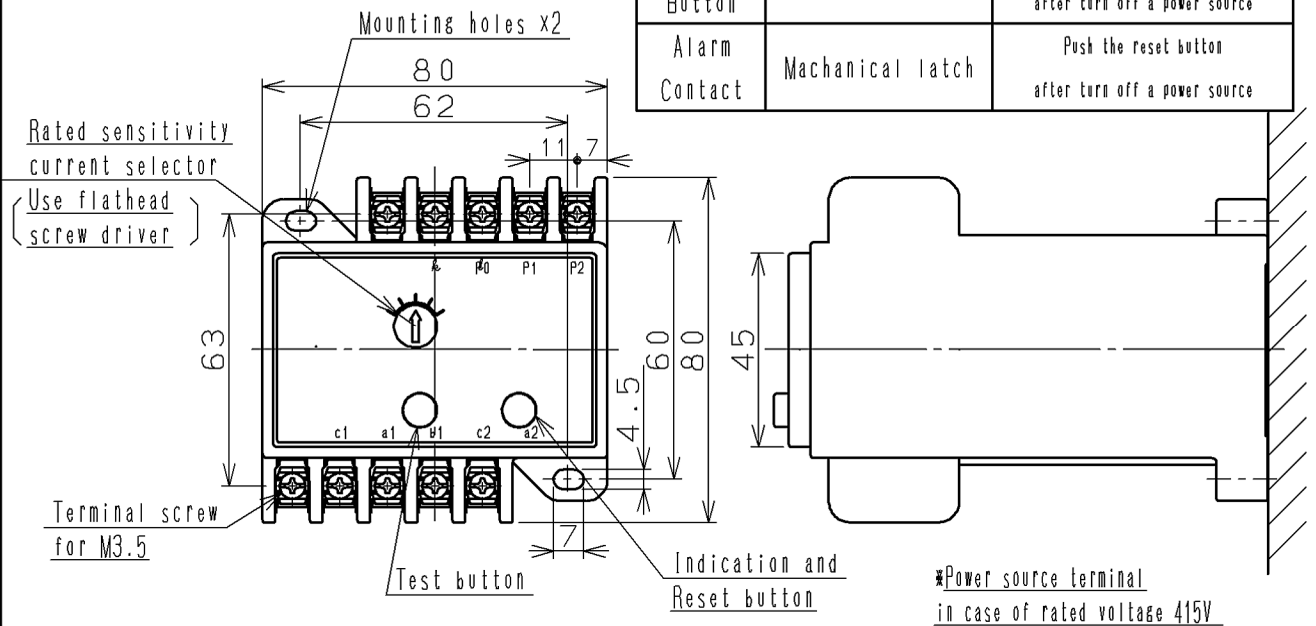


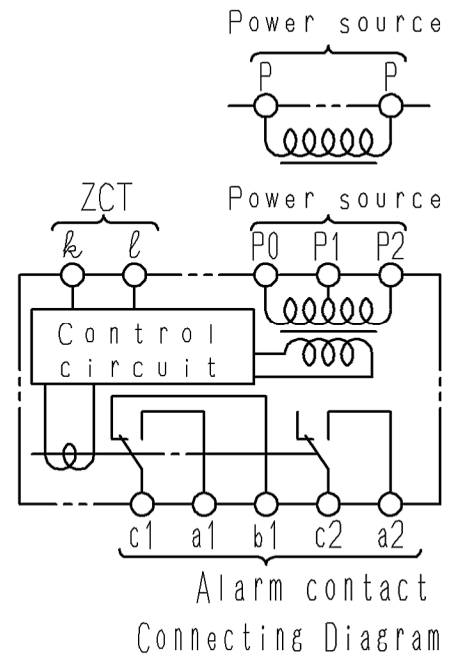
R-NZGL EARTH-LEAKAGE RELAY (MECHANICAL HOLD-ON RELAY TYPE)

Rated Voltage (AC, V)	Frequency (Hz)	Rated sensitivity Current (mA)		Operating time (S)	Alarm Contact	Base Amb. Temp. (°C)	Weight (kg)
		High-speed type	Time delay type				
100·200 Change by the tap (415)	50·60	High-speed type	50·100·200 500·1000 (30)	0.1 or less	1c+1a	40	0.45
		Time delay type	100·200·500 1000·2000	0.3			

	Latching system	Reset operation
Indication Button	Machanical latch	Push the reset button after turn off a power source
Alarm Contact	Machanical latch	Push the reset button after turn off a power source



*Power source terminal in case of rated voltage 415V



CUSTOMER			DWN. <i>K. Iijima</i> Nov-30-2012		TITLE	REV.
QUANTITY	ORDER NO.	WORK NO.	CHKD. <i>D. Nakamura</i> Nov-30-2012		R-NZGL DIMENSION	00
			APPD. <i>K. Aikawa</i> Nov-30-2012		NAKAJO WORKS DWG. NO.	SH.
				Hitachi Industrial Equipment Systems Co., Ltd.	325 43069281	1/1