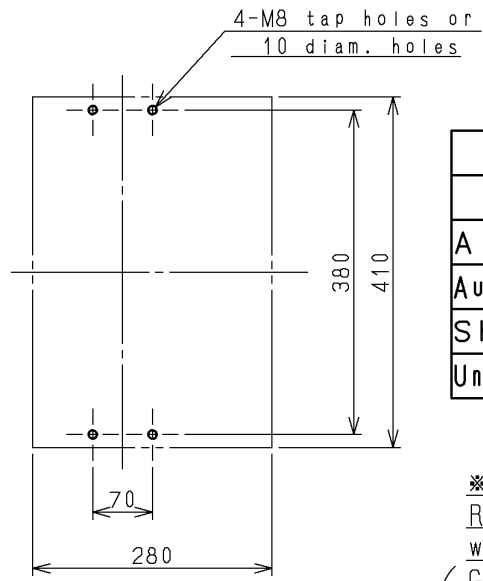
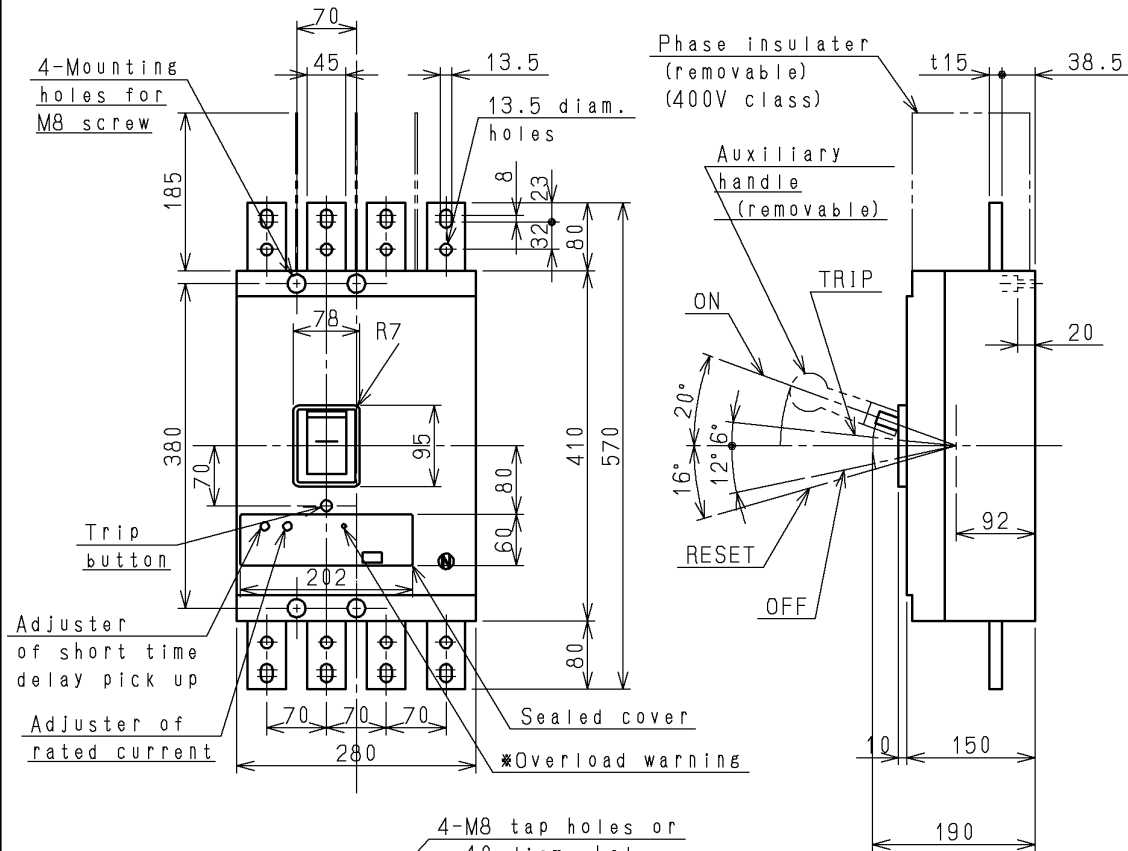


F-1000C FUSE FREE BREAKER

Type	No. of poles	Net weight (kg)	Rated voltage (V)	Rated current (A)			Base Amb.Temp.
				500	600	700	
F-1000C	4	33	AC600	800	900	1000	40℃
				(Adjustable)			



Interior Accessories		
With Front Terminal		
Alarm Switch (AL)		C
Auxiliary Switch (AUX)		C
Shunt Trip (SHT)		V
Undervoltage Trip (UVT)		V

***Overload warning**
 Red color LED will be blinking when energizing over current.
 (Green color will be displayed at start current value 90% of overload.)

Drilling Plan

CUSTOMER			DWN.	<i>R. Hatano</i>	Nov-18-2002	TITLE Dimensions	REV.
			CHKD.	<i>S. Sugai</i>	Nov-18-2002		00
QUANTITY	ORDER NO.	WORK NO.	APPD.	<i>T. Kashima</i>	Nov-18-2002	NAKAJO WORKS DWG. NO. 325 43059317	SH.
			Hitachi Industrial Equipment Systems Co., Ltd.				1/1