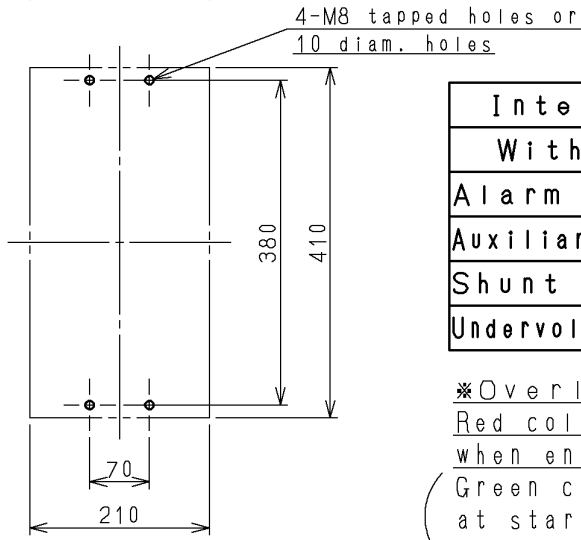
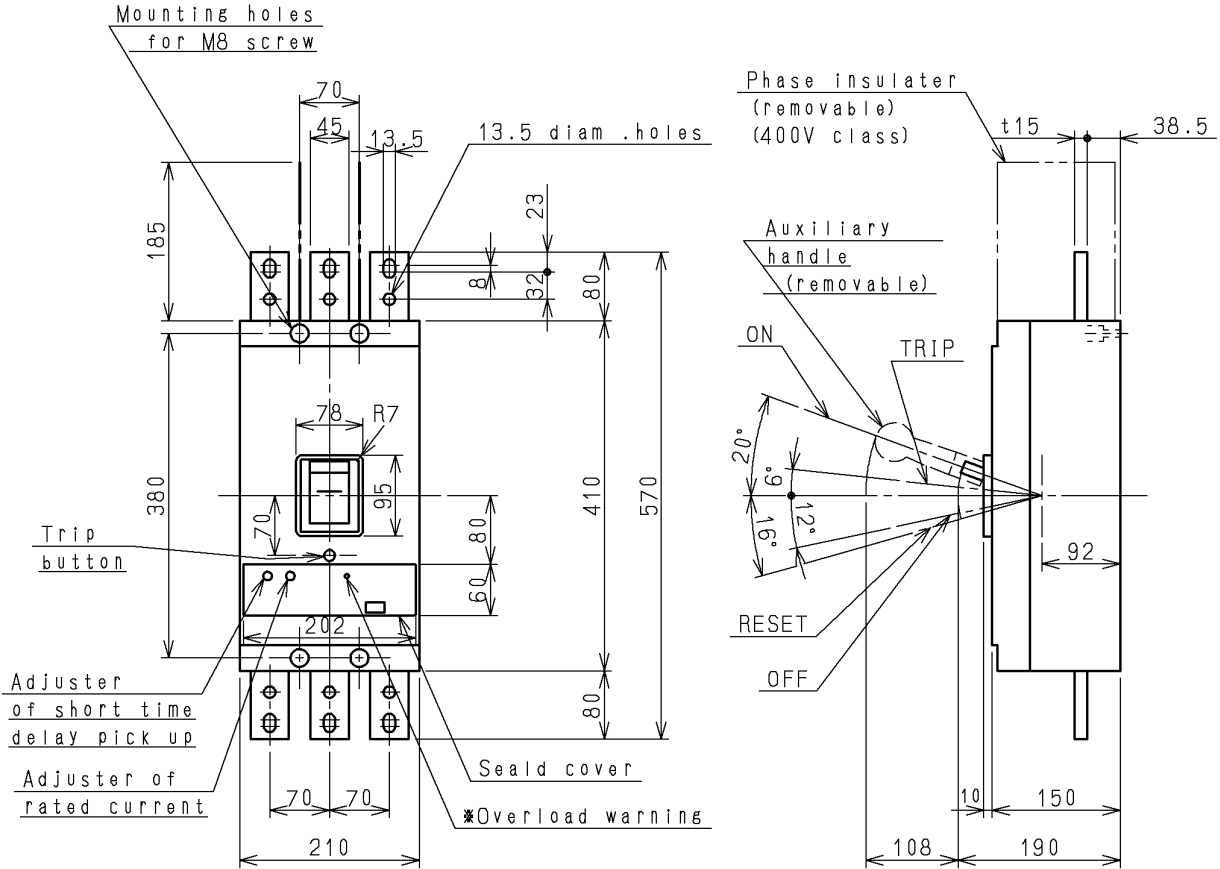


F-1000C FUSE FREE BREAKER

Type	Pole	Net weight (kg)	Rated Voltage (V)	Rated Current (A)	Base Amb.
F-1000C	3	26	AC600	500 600 700 800 900 1000 (Adjustable)	Temp. 40°C



Drilling Plan

Interior Accessories With Front Terminal	
Alarm Switch (AL)	C
Auxiliary Switch (AUX)	C
Shunt Trip (SHT)	V
Undervoltage Trip (UVT)	V

***Overload warning**
Red color LED will be blinking when energizing over current.
(Green color will be displayed at start current value 90% of overload.)

CUSTOMER			DWN.	<i>R. Hazama</i>	Nov-18-2002		TITLE	Dimensions	REV.	00
			CHKD.	<i>S. Sugai</i>	Nov-18-2002					
QUANTITY	ORDER NO.	WORK NO.	APPD.	<i>T. Kashima</i>	Nov-18-2002		NAKAJO WORKS DWG. NO. 325 43059445		SH.	1 1
			Hitachi Industrial Equipment Systems Co., Ltd.							