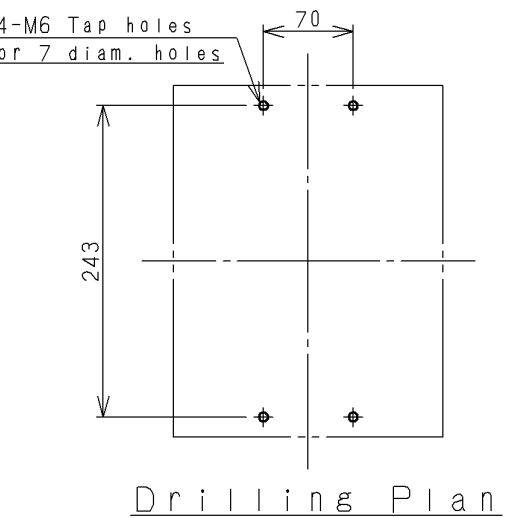
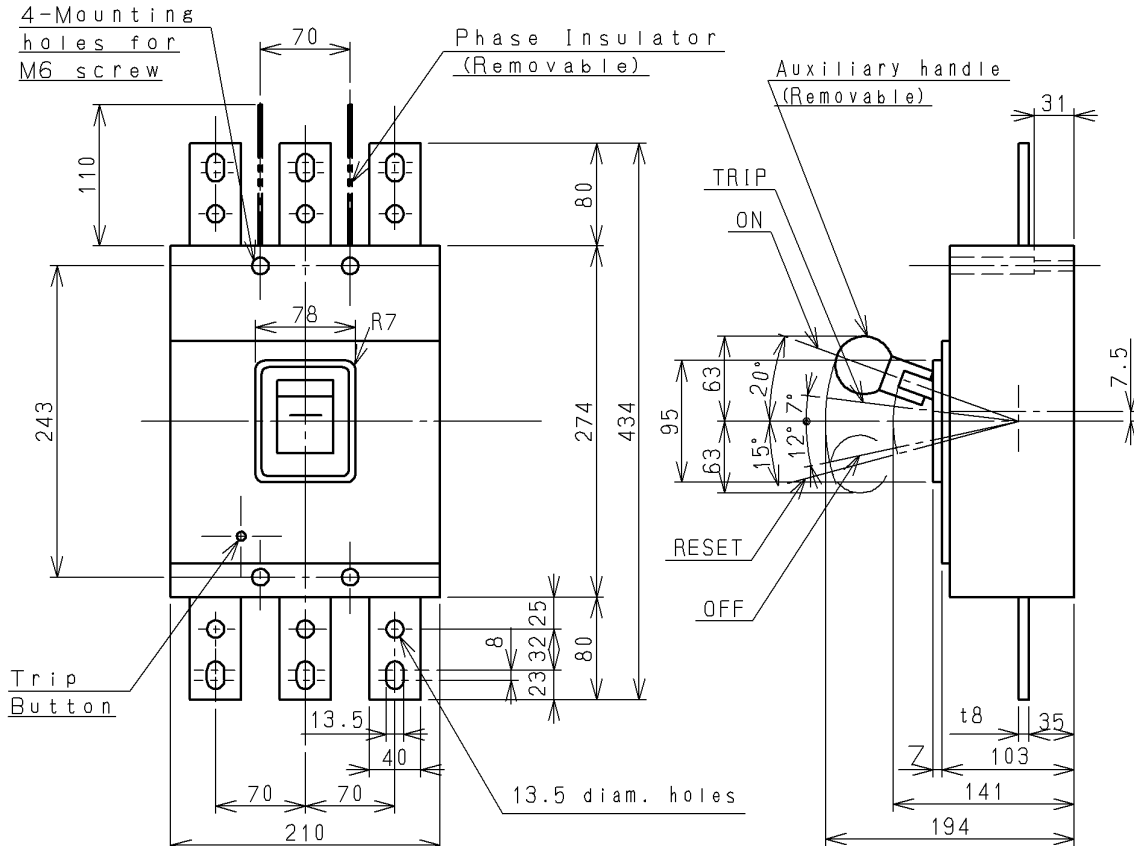


# F-800GB FUSE FREE BREAKER

Type	Pole	Weight (kg)	Rated Voltage (V)	Rated Current (A)	Base Amb. Temp.
F-800GB	3	10.5	690	700    800	40°C



Interior Accessories	
Alarm Switch	C
Auxiliary Switch	C
Shunt Trip	V
Undervoltage Trip (with TB)	V

CUSTOMER			DWN.	Y. Shimizu	09-Oct-2012		TITLE	Dimensions	REV.	00
			CHKD.	S. Sugai	09-Oct-2012		NAKAJO WORKS DWG. NO.		SH.	
QUANTITY	ORDER NO.	WORK NO.	APPD.	H. Aikawa	09-Oct-2012	325 43069135		1/1		
			<b>Hitachi</b> Industrial Equipment Systems Co., Ltd.							