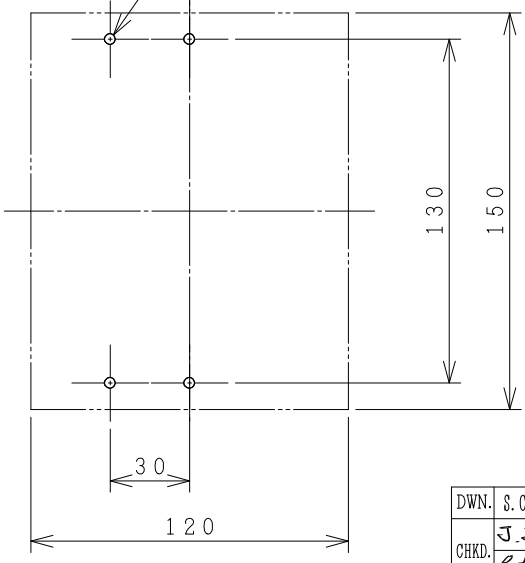
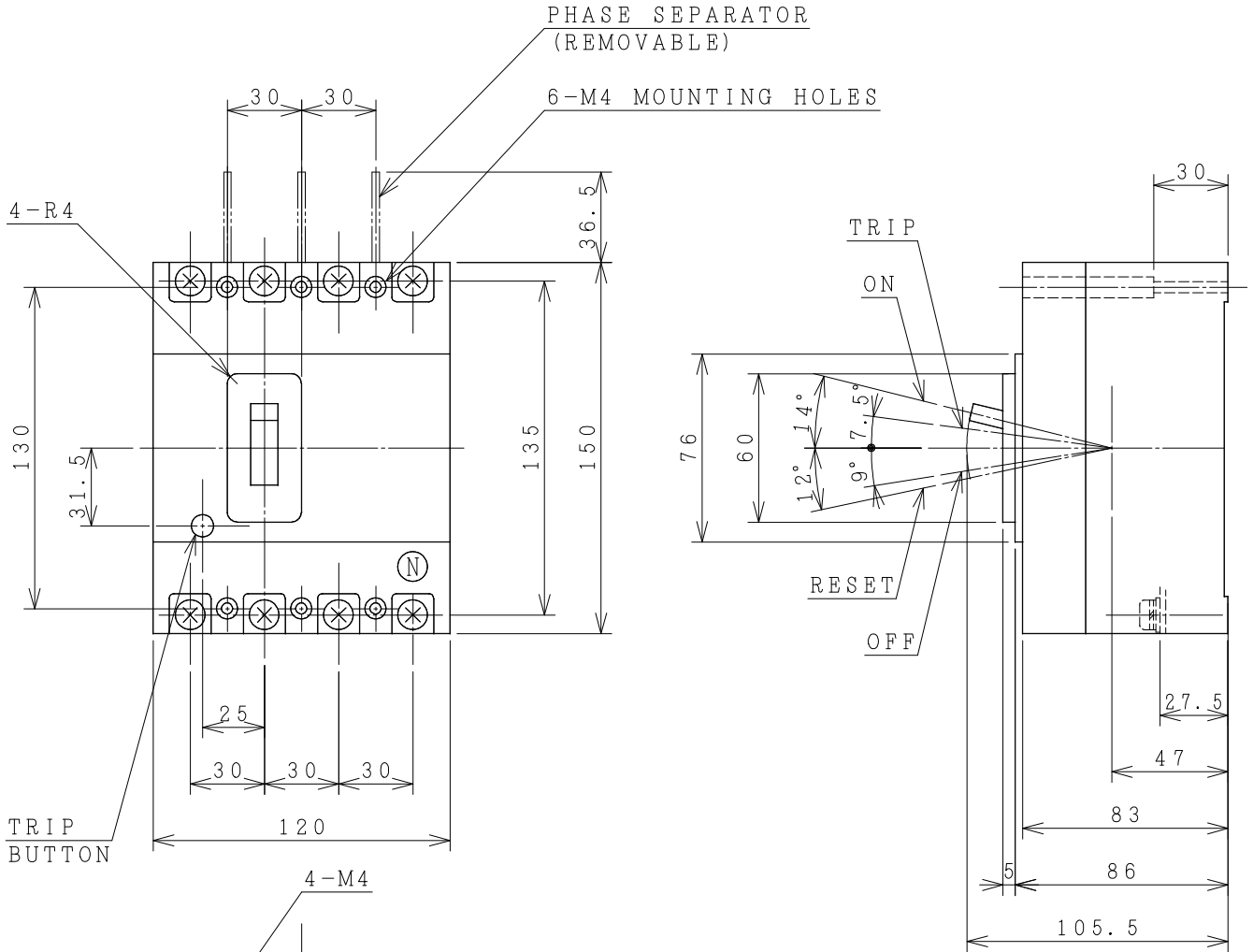


HITACHI MOLDED CASE CIRCUIT BREAKER

Type	Poles	Rated Insulation Voltage (Ui)	IEC 60947-2 Icu/Ics [kA]		Rated Current	Base Ambient Temperature	Weight
			230V	400V			
F-100KB	4	690 V	85/85	50/50	15 20 30 40 50 60 75 100 A	40 °C	2.3 kg



ACCESSORIES		
Part	Size	Q'ty
Phase separator	-	6
Terminal screw/bolt	M8x14	8
Mounting screw	M4x40	4
Assistant handle	-	-
Interior accessories	AL, AUX, SHT, UVT	

(Reference 43038253R04).
 *REMARK
 -DIMENSION UNIT = Millimeter (mm).

DWN. S. CHAIAMPOL	03/03/17	PROJECTION	TITLE
CHKD. J. Jiradee		SCALE	DIMENSION OF F-100KB
APPD. C. Krathisak		NTS.	
HITACHI Hitachi Industrial Technology (Thailand), Ltd.			HITT WORKS DWG. No. 4HTN000958
			REV. 00 SH. 01 01